

RFI

CONSTRUCTION PRODUCTS

Gunite
Shotcrete
Mortars & Grouts
Stucco & Plaster
Fireproofing

Refractory Batch Guns
Rotary Guns
Metallurgy Injectors
Predampeners
Castable Placers
Paddle & Turbin Mixers
Proportional Batchers
Fiber Feeder
Gunite Rigs
Tundish Spray Pumps
Plaster Spray Pumps
Concrete Pumps

Gunite / Shotcrete Hose
Hose Couplings
Nozzle Assemblies
Gun - Casting Equipment
Communication Sets
Water Booster Pumps
Rotor / Stator Mortar Pumps
Vibrators
Grout Pumps
Shotcrete Pumps
Fireproofing Spray Pumps
Continuous Mortar / Concrete Mixers

EQUIPMENT AND ACCESSORY CATALOG

GUNITE/SHOTCRETE CEMENT PLACEMENT HOSE

Flexible

Light-Weight

Easy To Handle

Longer Wearing

Static Dissipating

Abrasion Resistant



Whatever the mix...

**Improve your performance and service
with "RFI" Cement Placement Hose
and Accessories.**

Tougher from tube to cover, this superior hose is built for maximum abrasion resistance... and meets the rugged demands for all types of gunit and shotcrete service.

RFI CONSTRUCTION PRODUCTS

DIVISION OF CANGRO INDUSTRIES, INC.

495 Smith St., Farmingdale, N.Y. 11735-1186

Tel: 631-752-8899

Fax: 631-454-9155

PA Office: 610-966-5689

Fax: 610-966-5683

www.rficonstructionproducts.com • [email: cangrosales@ix.netcom.com](mailto:cangrosales@ix.netcom.com)

Complete line of Guniting & Shotcrete Accessories

Size I.D.	Ply	Approx. O.D.	Approx. Wt. Per 50'	Working Pressure	Standard Package
1"	3	1 ² / ₃₂ "	50 lbs	150 PSI	50'
1 ¹ / ₄ "	3	2 ¹ / ₈ "	55 lbs	150 PSI	50'
1 ¹ / ₂ "	3	2 ¹ / ₃₂ "	60 lbs	150 PSI	50'
1 ⁵ / ₈ "	4	2 ³ / ₃₂ "	70 lbs	150 PSI	50'
2"	4	3"	95 lbs	150 PSI	50'

TUBE:

Full 1/4" thick natural pure gum abrasion resistant rubber, provides maximum wear against sand and cement and dissipates static electricity.

CARCASS:

Multiple plies (3 or 4) of 16 oz. fabric with bonding layers of rubber between plies to assure strength and flexibility.

COVER:

Abrasion resistant rubber with static wire woven between carcass and friction cover to assure maximum safety. Mandrel made insures uniformity in construction and for hose coupling installation.

SERVICES FOR CEMENT PLACEMENT HOSE:

Refractory
Bridge Repair
Tunnels

Fireproofing
Linings
Swimming Pools

Renovating
Casting
Stabilization

HOSE COUPLINGS AVAILABLE:



ALLENTOWN



SCREW TYPE



VICTAULIC TYPE

RFI also stocks air and water hose coupled sizes:

1/2", 3/4", 1", 1 1/4", 1 1/2", and 2".

RFI CONSTRUCTION PRODUCTS

DIVISION OF CANGRO INDUSTRIES, INC.

495 Smith St., Farmingdale, N.Y. 11735-1186

Tel: 631-752-8899

Fax: 631-454-9155

PA Office: 610-966-5689

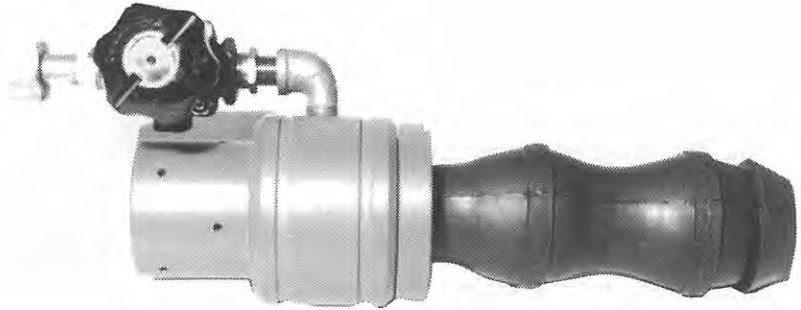
Fax: 610-966-5683

www.rficonstructionproducts.com • [email: cangrosales@ix.netcom.com](mailto:cangrosales@ix.netcom.com)

TUF-LITE NOZZLE ASSEMBLY WITH "NEW STYLE" WATER RING

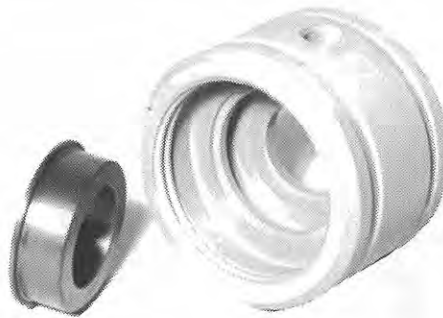
FEATURES:

- High-impact polymer water body
- Lightweight, tough
- Full 360 degree water spray
- Helps reduce dust & rebound



The Model NATL-610 comes complete with brass ell, water valve, fan water ring, and nut and tail piece. Accepts the following nozzles: (1) Allentown Hamm Nozzle; (2) Black Double Bubble; (3) New Tuf-Lite Hydro Nozzle.

**Water Ring
without Holes**



Patent Applied For

Here is a water ring without holes. This new design allows the material to be completely surrounded (360 degrees) with a full spray of water. Made out of a tough polymer, this ring allows for better water penetration of material.

All Tuf-Lite Nozzle bodies can be ordered with Allentown thread on hose end.

RFI CONSTRUCTION PRODUCTS

DIVISION OF CANGRO INDUSTRIES, INC.

495 Smith St., Farmingdale, N.Y. 11735-1186

Tel: 631-752-8899

Fax: 631-454-9155

PA Office: 610-966-5689

Fax: 610-966-5683

www.rficonstructionproducts.com • [email: cangrosales@ix.netcom.com](mailto:cangrosales@ix.netcom.com)

RFI'S NEW POLYMER NOZZLE ASSEMBLY ELIMINATES STATIC SHOCK

FEATURES:

- High-impact polymer water body
- Lightweight and tough
- Full 360 degree water spray
- 18" long tapered nozzle
- Available in sizes from 1 1/4" to 2"
- Helps reduce dust & rebound
- Eliminates static shock



The Model LT-18 comes complete with brass ell, water valve, fan water ring, nut and tail piece. Accepts the following nozzles: (1) Allentown Hamm Nozzle; (2) Black Double Bubble; (3) New Tuf-Lite LT-18 Long Tapered Nozzle. With it's new designed hole-less water ring the water is introduced through a slot 360° around the material, allowing for faster and better wetting of the cementitious material. Accompanied with the new LT-18 nozzle, this long tapered tip allows for better wetting of material, and holds material in a tighter pattern, thus reducing rebound and dust. All components are made from an abrasive resistant polymer, allowing for longer life. Available in sizes from 1 1/4" to 2".



Here is a water ring without holes. This new design allows the material to be completely surrounded (360 degrees) with a full spray of water. Made out of a tough polymer, this ring allows for better water penetration of material.

All Tuf-Lite Nozzle bodies can be ordered with Allentown thread on hose end.

RFI CONSTRUCTION PRODUCTS

DIVISION OF CANGRO INDUSTRIES, INC.

495 Smith St., Farmingdale, N.Y. 11735-1186

Tel: 631-752-8899

Fax: 631-454-9155

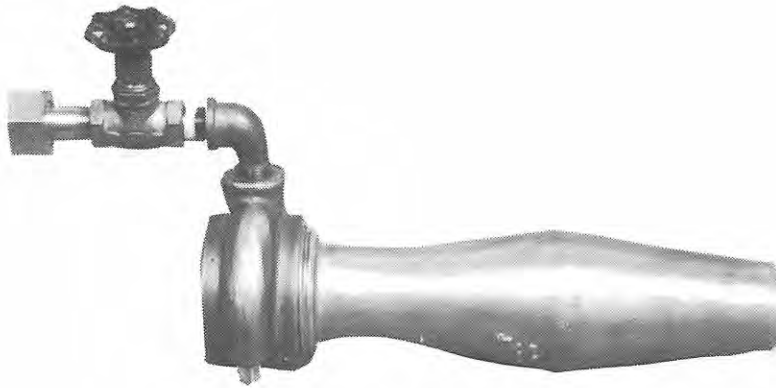
PA Office: 610-966-5689

Fax: 610-966-5683

www.rficonstructionproducts.com • [email: cangrosales@ix.netcom.com](mailto:cangrosales@ix.netcom.com)

BRASS HAMM NOZZLE ASSEMBLY

SIZES: 1-1/4, 1-1/2, & 1-5/8



Features:

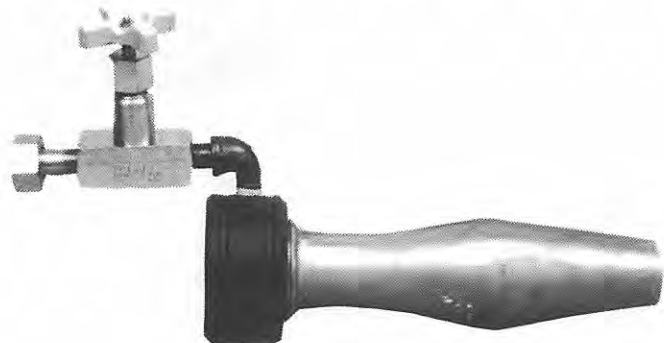
- All Brass Water Body construction.
- Accepts Brass Water Ring or "New" Tuf-lite Water Ring.
- Accepts Globe, Needle, or Diaphragm Water Valves.
- Interchangeable with Allentown Type Nozzle Assembly.

Assembly comes complete with Water Ring, Brass Ell, Water Valve, Nut & Tail Piece, Nozzle Body Washer, Aluminum Tip and Pure Gum Liner. Perfect for all refractory and gunite applications.

TUF-LITE HAMM NOZZLE BODY ASSEMBLY

FEATURES:

Lightweight & tough
Longer life
New water ring
High impact polymer water body



RFI CONSTRUCTION PRODUCTS

DIVISION OF CANGRO INDUSTRIES, INC.

495 Smith St., Farmingdale, N.Y. 11735-1186

Tel: 631-752-8899

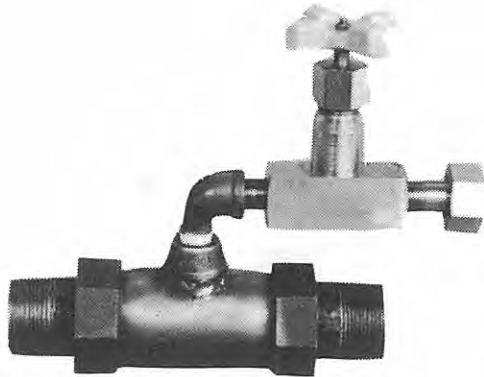
Fax: 631-454-9155

PA Office: 610-966-5689

Fax: 610-966-5683

www.rficonstructionproducts.com • [email: cangrosales@ix.netcom.com](mailto:cangrosales@ix.netcom.com)

HOT GUNNING NOZZLE 1 1/4" AND 1 1/2" PIPE SIZE



FEATURES:

- Easy to use
- Standard pipe threads
- Better material wetting
- Reduces rebound

Model #HGN-700 all-steel nozzle assembly has compression seal fittings on both ends allowing for easy replacement of steel water nipple. The water nipple has holes drilled on a helix giving a spiral flow to the water. This flow spirals the gunning mix through the lance in a more closely held pattern.

2" WET SHOTCRETE NOZZLE ASSEMBLY



MODEL-WSH-500

All steel nozzle parts are case hardened for longer life against abrasion. O-rings eliminate air leakage around air-chamber. Rubber tip is installed over grooved end for better grip with stainless steel clamp. Hole pattern allows for faster and more even dispersion of wet mix to surface. Hose end connects with standard 2" CF snap coupling.

RFI CONSTRUCTION PRODUCTS

DIVISION OF CANGRO INDUSTRIES, INC.

495 Smith St., Farmingdale, N.Y. 11735-1186

Tel: 631-752-8899

Fax: 631-454-9155

www.rficonstructionproducts.com • [email: cangrosales@ix.netcom.com](mailto:cangrosales@ix.netcom.com)

PA Office: 610-966-5689

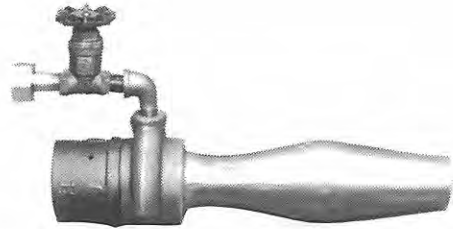
Fax: 610-966-5683

HAMM NOZZLE PARTS

SIZES: 1 $\frac{1}{4}$ " , 1 $\frac{1}{2}$ " , & 1 $\frac{5}{8}$ "

Features:

All Brass Water Body construction.
Accepts Brass Water Ring or "New" Tuf-lite Water Ring.
Accepts Globe, Needle, or Diaphragm Water Valves.
Interchangeable with Allentown Type Nozzle Assembly.



Hamm Nozzle Liners - 1 $\frac{1}{4}$ " , 1 $\frac{1}{2}$ "

Material—Natural Gum Rubber

Part No.

HNL-234 Hamm Nozzle Liner - 1 $\frac{1}{4}$ "

HNL-235 Hamm Nozzle Liner - 1 $\frac{1}{2}$ "



Hamm Nozzle Tips - 1 $\frac{1}{4}$ " , 1 $\frac{1}{2}$ "

Part No.

HNT-236 Hamm Nozzle Tip - 1 $\frac{1}{4}$ "

HNT-237 Hamm Nozzle Tip - 1 $\frac{1}{2}$ "



Water Rings & Nozzle Body Washers



Standard - 8 Holes

Special - 16 Holes

Sizes: 1 $\frac{1}{4}$ " , 1 $\frac{3}{8}$ " , 1 $\frac{1}{2}$ " , & 1 $\frac{5}{8}$ "

Material: 1/8" thick Natural

Pure Gum Rubber

Sizes: 1 $\frac{1}{4}$ " , 1 $\frac{3}{8}$ " , 1 $\frac{1}{2}$ " , & 1 $\frac{5}{8}$ "

RFI CONSTRUCTION PRODUCTS

DIVISION OF CANGRO INDUSTRIES, INC.

495 Smith St., Farmingdale, N.Y. 11735-1186

Tel: 631-752-8899

Fax: 631-454-9155

www.rficonstructionproducts.com • [email: cangrosales@ix.netcom.com](mailto:cangrosales@ix.netcom.com)

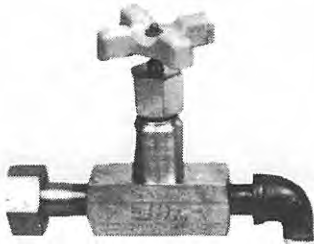
PA Office: 610-966-5689

Fax: 610-966-5683

REPLACEMENT PARTS

Water Valve Assemblies

Needle Valve



Diaphragm Valve



Material Hose Couplings

Sizes: 1", 1 $\frac{1}{4}$ ", 1 $\frac{3}{8}$ ", 1 $\frac{1}{2}$ ", & 1 $\frac{5}{8}$ "

Material: Brass



RFI CONSTRUCTION PRODUCTS

DIVISION OF CANGRO INDUSTRIES, INC.

495 Smith St., Farmingdale, N.Y. 11735-1186

Tel: 631-752-8899

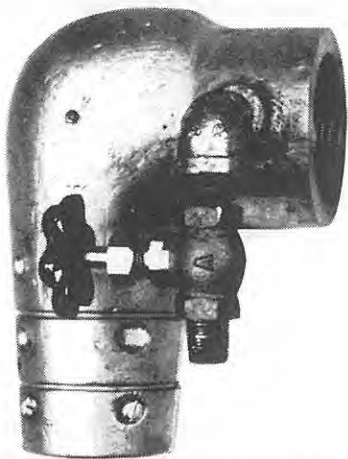
Fax: 631-454-9155

www.rficonstructionproducts.com • [email: cangrosales@ix.netcom.com](mailto:cangrosales@ix.netcom.com)

PA Office: 610-966-5689

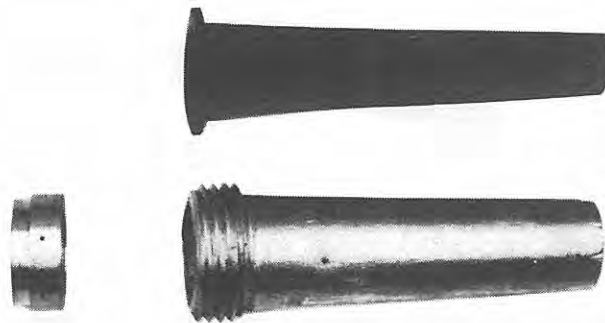
Fax: 610-966-5683

REFRACTORY AND GUNITE NOZZLES



90° NOZZLE ASSEMBLY

Ideal for chimneys and tight areas. Tough alloy aluminum nozzle body complete with water valve, water ring, tapered tip with 3/4" I.D. tapered liner. Nozzle body can be cut to fit 1", 1-1/4" and 1-1/2" material hose.



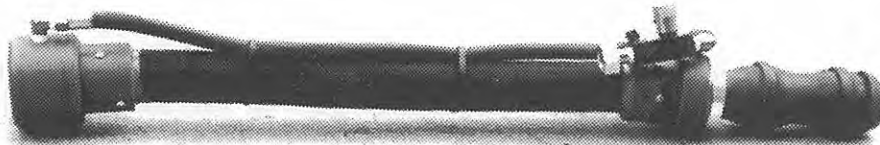
SPIROLET NOZZLE

Ideal for gunning of lightweight refractory materials. Fits Allentown nozzle bodys.



PIPE ADAPTERS—1 1/4-1 1/2

For hot gunning applications where a pipe lance is required. Fits all Allentown threads.



HYDRO-MIX NOZZLE ASSEMBLY

The hose extension between the nozzle body and the tip and liner allows for a longer wetting chamber, thus allowing for a more thorough water hydration and material mixing. Definitely reduces dust and rebound. Primarily used in gunning overhead such as bridge repair and gunning refractories where proper hydration is very important.

RFI CONSTRUCTION PRODUCTS

DIVISION OF CANGRO INDUSTRIES, INC.

495 Smith St., Farmingdale, N.Y. 11735-1186

Tel: 631-752-8899

Fax: 631-454-9155

PA Office: 610-966-5689

Fax: 610-966-5683

www.rficonstructionproducts.com • [email: cangrosales@ix.netcom.com](mailto:cangrosales@ix.netcom.com)

SPECIAL PREDAMPENING NOZZLE ASSEMBLY



MODEL PDN-100

This nozzle assembly is used when it is difficult to predampen the refractory material back at the gun. The "PDN-100" nozzle allows you to predampen in the material hose line. Equipped with two water bodies with RFI's Hole-Less Water Rings, 4 to 10 feet apart, water is metered into the material by two water valves (needle type).

The rear water body introduces a small amount of water predampening the refractory material, while the front water body does the final wetting.

This nozzle system helps reduce dust and rebound, and is a definite must when you don't have the proper predampening equipment. It is also advisable to use when gunning overhead.

All components are made from a tough plastic polymer, for abrasion resistance, ease of handling and longer life. Available sizes 1", 1-1/4", 1-1/2", 1-5/8", 2".

REFRACTORY & GUNITE NOZZLES



The "LT-18" nozzle was designed to allow for a longer wetting chamber after the water body, and to maintain the gunned material in a tight pattern. RFI has achieved this by making this nozzle 18" long and incorporating an internal taper.

The cementitious materials are hydrated more thoroughly in the LT-18's long taper chamber, thus helping to reduce dust and rebound.

Made from a tough, lightweight, static dissipating polymer, LT-18 is available in 1-1/4" and 1-1/2" nozzle sizes. Fits RFI water body only.

RFI CONSTRUCTION PRODUCTS

DIVISION OF CANGRO INDUSTRIES, INC.

495 Smith St., Farmingdale, N.Y. 11735-1186

Tel: 631-752-8899

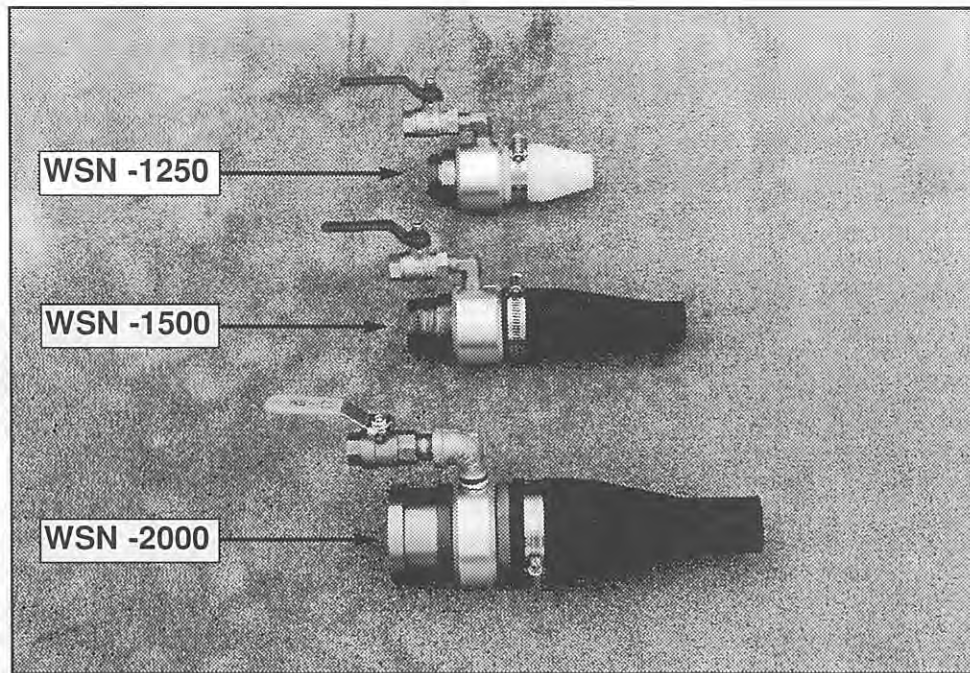
Fax: 631-454-9155

www.rficonstructionproducts.com • [email: cangrosales@ix.netcom.com](mailto:cangrosales@ix.netcom.com)

PA Office: 610-966-5689

Fax: 610-966-5683

1 1/4" - 1 1/2" & 2" WET SHOTCRETE NOZZLE ASSEMBLY



The steel main nozzle body is case hardened for longer life against abrasion. O-rings eliminate air leakage around air-chamber. Rubber tip is installed over grooved ends for better grip with stainless steel clamp. Hole pattern allows for faster and more even dispersion of wet mix to surface. Hose end is standard male national pipe thread. Various hose connectors are available.

RFI CONSTRUCTION PRODUCTS

DIVISION OF CANGRO INDUSTRIES, INC.

495 Smith St., Farmingdale, N.Y. 11735-1186

Tel: 631-752-8899

Fax: 631-454-9155

PA Office: 610-966-5689

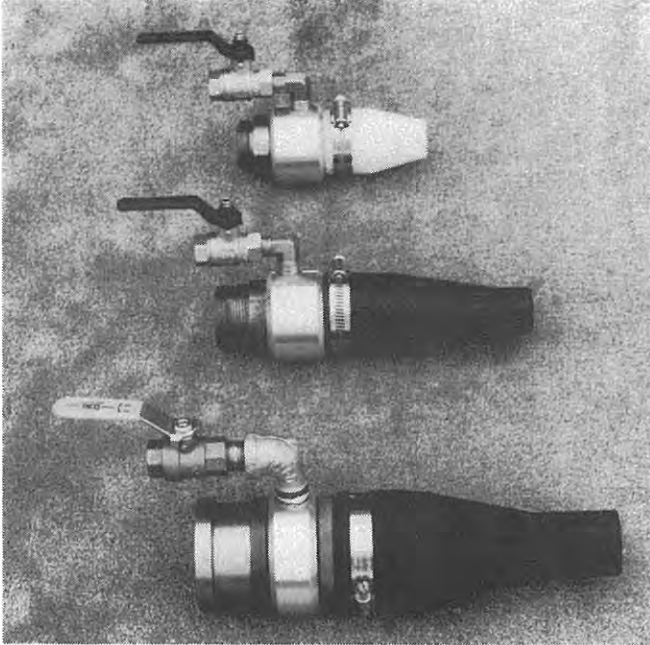
Fax: 610-966-5683

www.rficonstructionproducts.com • [email: cangrosales@ix.netcom.com](mailto:cangrosales@ix.netcom.com)

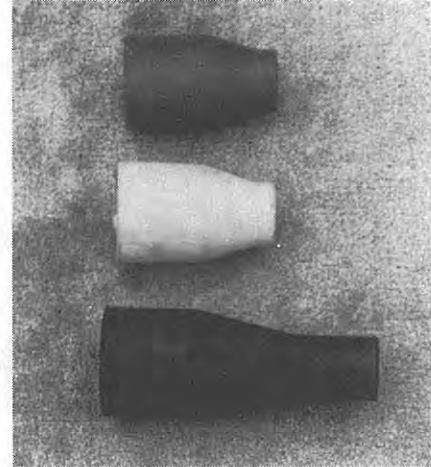
1 1/4" - 1 1/2" & 2" WET SHOTCRETE NOZZLE ASSEMBLY

Various Nozzle Tips

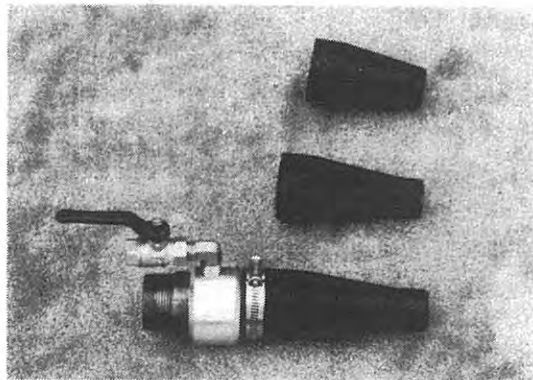
Assemblies



2" Tips



1 1/2" Tips



RFI CONSTRUCTION PRODUCTS

DIVISION OF CANGRO INDUSTRIES, INC.

495 Smith St., Farmingdale, N.Y. 11735-1186

Tel: 631-752-8899

Fax: 631-454-9155

www.rficonstructionproducts.com • [email: cangrosales@ix.netcom.com](mailto:cangrosales@ix.netcom.com)

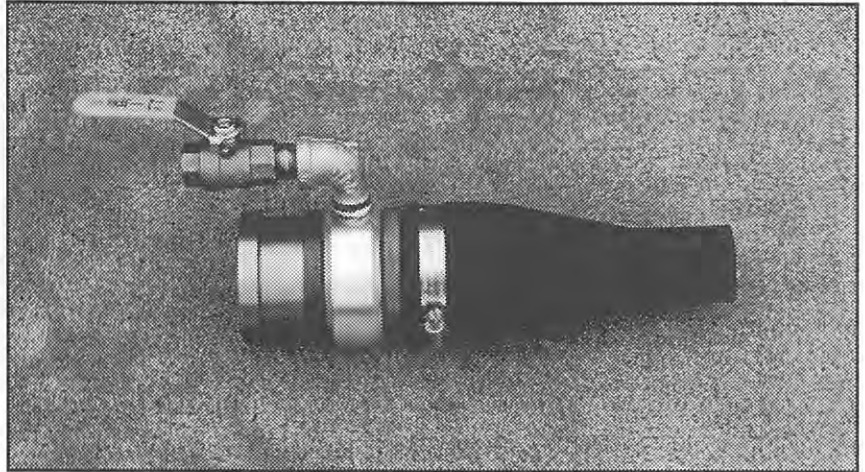
PA Office: 610-966-5689

Fax: 610-966-5683

WET SPRAY NOZZLE

Applications:

Stucco
Plaster
Fireproofing
Refractory
Restoration Mixes
Fine Grain Mortars
Grouts
Shotcrete



Model WSN-2000-2"

The steel main nozzle body is case hardened for longer life against abrasion. O-rings eliminate air leakage around air-chamber. Rubber tip is installed over a grooved end for a better grip with stainless steel clamp. Hole pattern allows for faster and more even dispersion of wet mix to surface. Hose end is standard male national pipe thread. Various hose connectors are available. Air is regulated by a 1/2" ball valve.

CFM required 185 @ 90 PSI.

RFI CONSTRUCTION PRODUCTS

DIVISION OF CANGRO INDUSTRIES, INC.

495 Smith St., Farmingdale, N.Y. 11735-1186

Tel: 631-752-8899

Fax: 631-454-9155

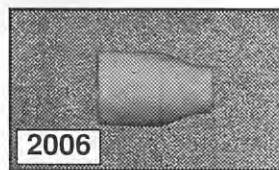
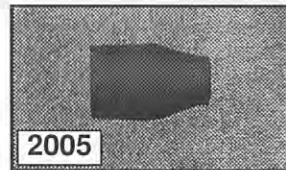
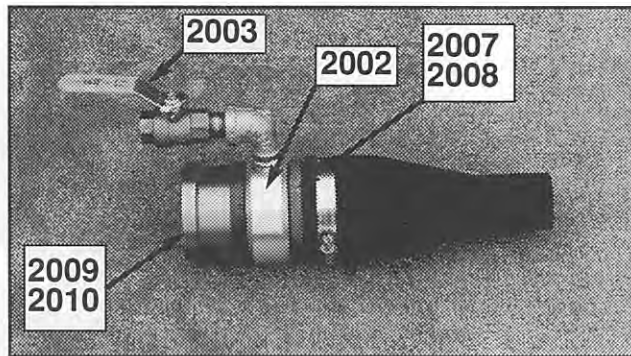
www.rficonstructionproducts.com • [email: cangrosales@ix.netcom.com](mailto:cangrosales@ix.netcom.com)

PA Office: 610-966-5689

Fax: 610-966-5683

WET SPRAY NOZZLE

Model WSN-2000-2"



Part No.

Description

WSN-2000-2"	Nozzle Assembly
WSN-2001	Steel Body
WSN-2002	Air Ring (Alum.)
WSN-2003	1/2" Ball Valve - Full Port
WSN-2004	Nozzle Tip long
WSN-2005	Nozzle Tip short - red (firm)
WSN-2006	Nozzle Tip short - white (soft)
WSN-2007	O-Ring #332 (2)
WSN-2008	O-Ring Retainer (2)
WSN-2009	Hose Connector - Hvy Duty
WSN-2010	Hose Connector - Grooved

RFI CONSTRUCTION PRODUCTS

DIVISION OF CANGRO INDUSTRIES, INC.

495 Smith St., Farmingdale, N.Y. 11735-1186

Tel: 631-752-8899

Fax: 631-454-9155

PA Office: 610-966-5689

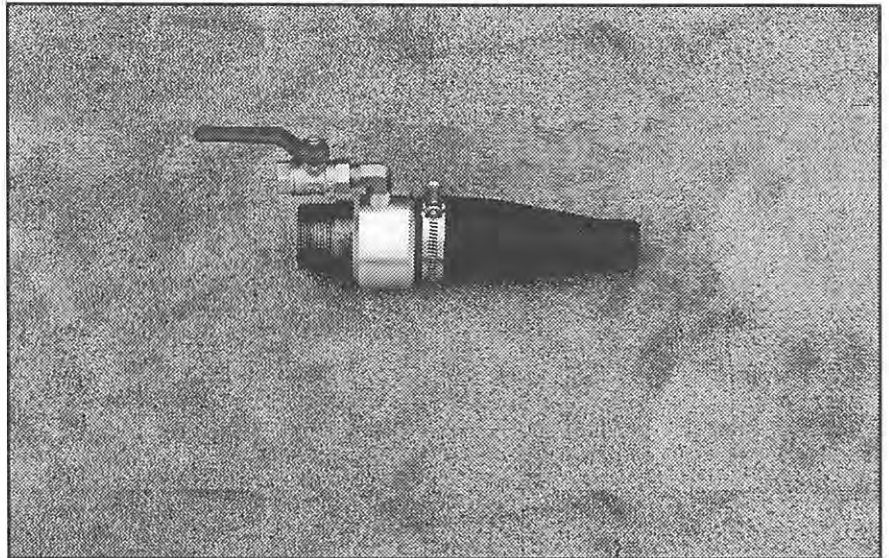
Fax: 610-966-5683

www.rficonstructionproducts.com • [email: cangrosales@ix.netcom.com](mailto:cangrosales@ix.netcom.com)

WET SPRAY NOZZLE

Applications:

Stucco
Plaster
Fireproofing
Refractory
Restoration Mixes
Fine Grain Mortars
Grouts
Shotcrete



Model WSN-1500 -1 1/2"

The steel main nozzle body is case hardened for longer life against abrasion. O-rings eliminate air leakage around air-chamber. Rubber tip is installed over a grooved end for a better grip with stainless steel clamp. Hole pattern allows for faster and more even dispersion of wet mix to surface. Hose end is standard male national pipe thread. Various hose connectors are available. Air is regulated by a 3/8" ball valve. Other nozzle tip styles are available.

CFM required 125 @ 90 PSI.

RFI CONSTRUCTION PRODUCTS

DIVISION OF CANGRO INDUSTRIES, INC.

495 Smith St., Farmingdale, N.Y. 11735-1186

Tel: 631-752-8899

Fax: 631-454-9155

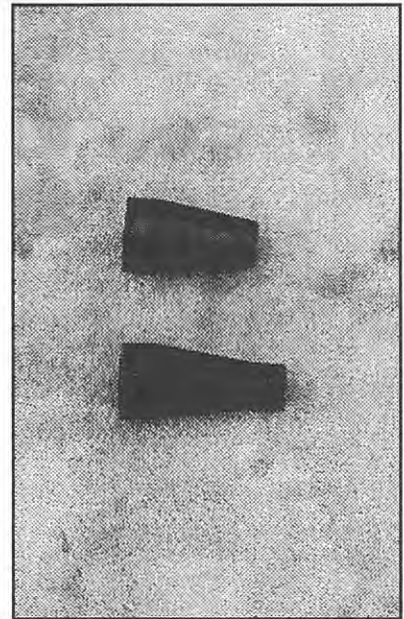
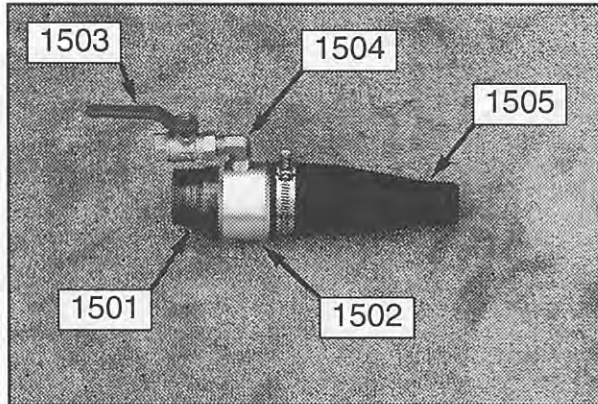
PA Office: 610-966-5689

Fax: 610-966-5683

www.rficonstructionproducts.com • [email: cangrosales@ix.netcom.com](mailto:cangrosales@ix.netcom.com)

WET SPRAY NOZZLE

Model WSN-600



Part No.

WSN-1500-1 1/2"

WSN-1501

WSN-1502

WSN-1503

WSN-1504

WSN-1505

WSN-1506

Description

Nozzle Assembly

Steel Body

Air Ring (Alum.)

3/8" Ball Valve

3/8" Brass Elbow

Nozzle Tip -Rubber

O-Ring (2) #

RFI CONSTRUCTION PRODUCTS

DIVISION OF CANGRO INDUSTRIES, INC.

495 Smith St., Farmingdale, N.Y. 11735-1186

Tel: 631-752-8899

Fax: 631-454-9155

www.rficonstructionproducts.com • [email: cangrosales@ix.netcom.com](mailto:cangrosales@ix.netcom.com)

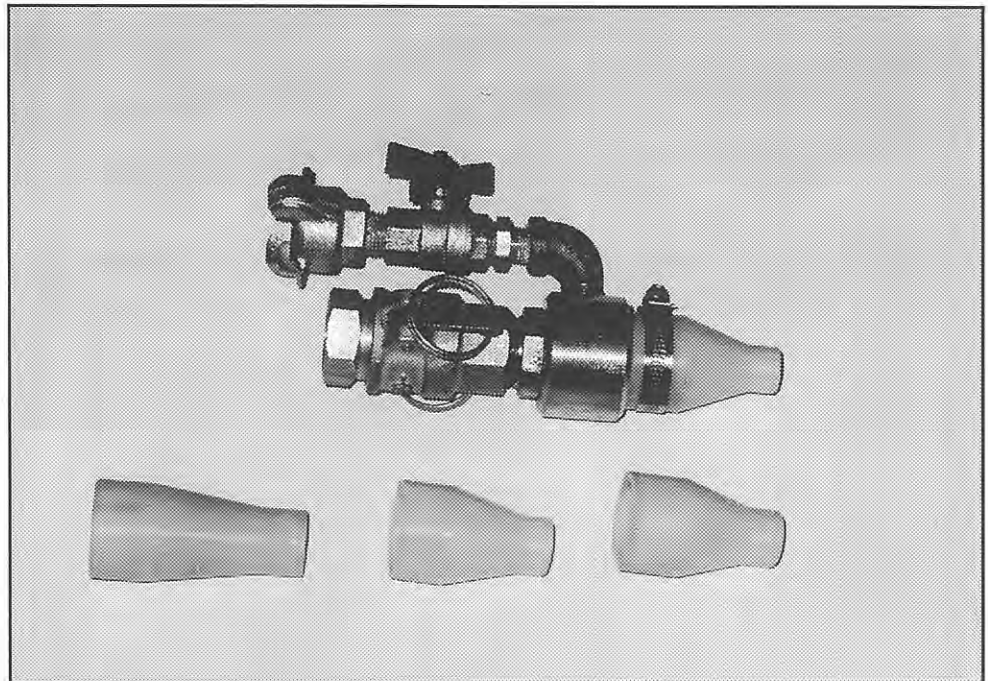
PA Office: 610-966-5689

Fax: 610-966-5683

WET SPRAY NOZZLE

Applications:

Stucco
Plaster
Fireproofing
Refractory
Restoration Mixes
Fine Grain Mortars
Grouts
Shotcrete



Model WSN-1250-1 1/4"

The steel main nozzle body is case hardened for longer life against abrasion. O-rings eliminate air leakage around air-chamber. Polymer tip is installed over a grooved end for a better grip with stainless steel clamp. Hole pattern allows for faster and more even dispersion of wet mix to surface. Hose end is standard male national pipe thread. Various hose connectors are available. Air is regulated by a 3/8" ball valve. Nozzle tips and styles range from 1/2" to 1" I.D.

CFM required 85 @ 90 PSI.

RFI CONSTRUCTION PRODUCTS

DIVISION OF CANGRO INDUSTRIES, INC.

495 Smith St., Farmingdale, N.Y. 11735-1186

Tel: 631-752-8899

Fax: 631-454-9155

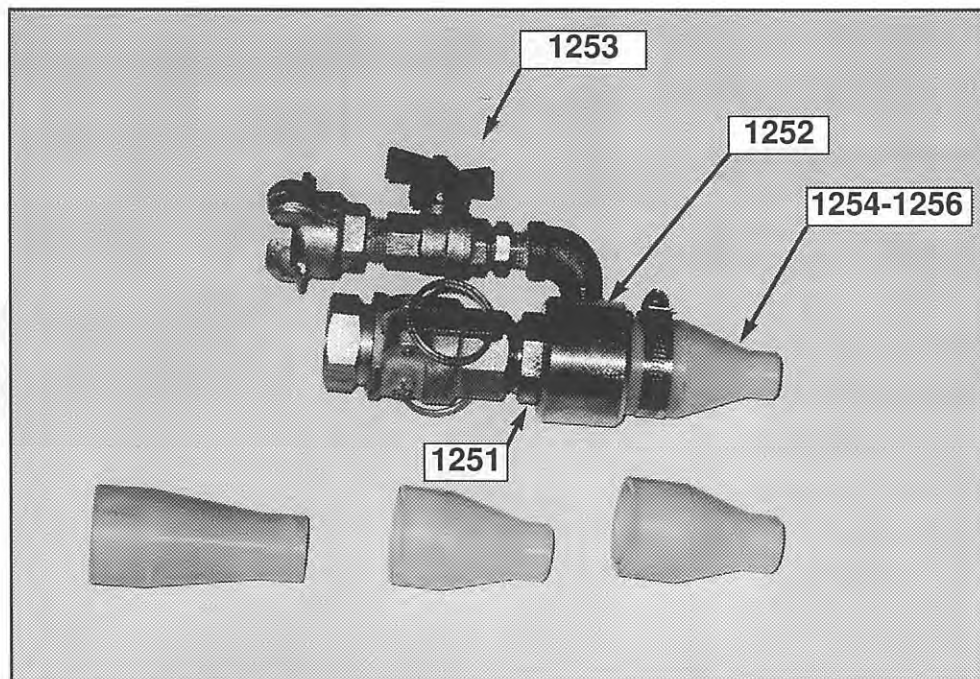
PA Office: 610-966-5689

Fax: 610-966-5683

www.rficonstructionproducts.com • [email: cangrosales@ix.netcom.com](mailto:cangrosales@ix.netcom.com)

WET SPRAY NOZZLE

Model WSN-1250-1 1/4"



Part No.	Description
WSN-1250-1 1/4"	Nozzle Assembly
WSN-1251	Steel Body
WSN-1252	Air Ring (Alum.)
WSN-1253	3/8" Ball Valve
WSN-1254	Nozzle Tip 1/2"
WSN-1255	Nozzle Tip 3/4"
WSN-1256	Nozzle Tip 1"
WSN-1257	O-Ring (2) #

RFI CONSTRUCTION PRODUCTS

DIVISION OF CANGRO INDUSTRIES, INC.

495 Smith St., Farmingdale, N.Y. 11735-1186

Tel: 631-752-8899

Fax: 631-454-9155

PA Office: 610-966-5689

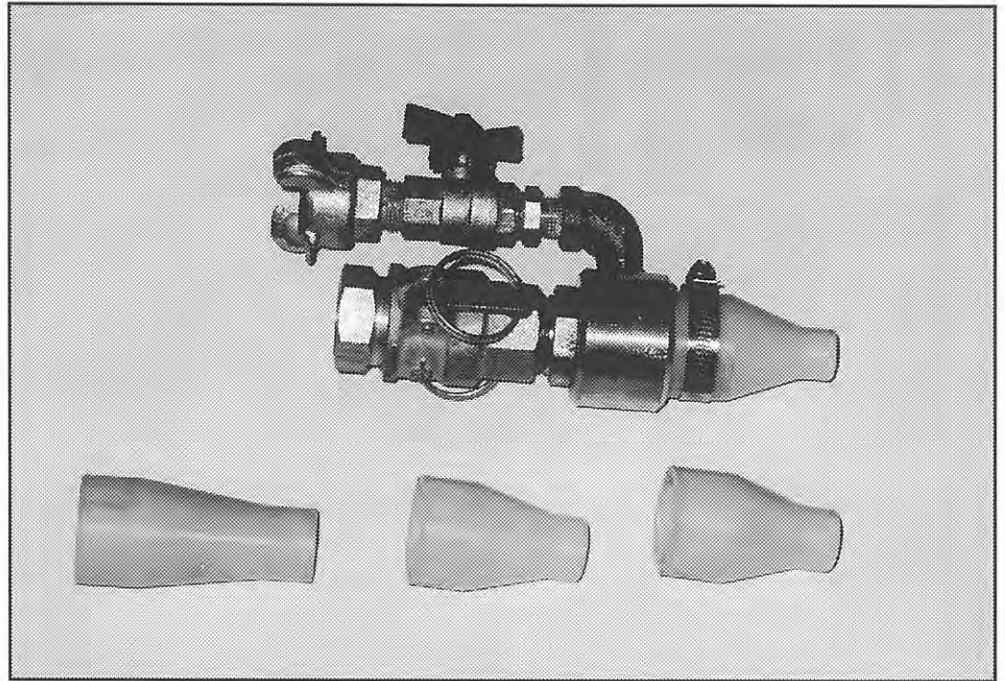
Fax: 610-966-5683

www.rficonstructionproducts.com • [email: cangrosales@ix.netcom.com](mailto:cangrosales@ix.netcom.com)

WET SPRAY NOZZLE

Applications:

Stucco
Plaster
Fireproofing
Refractory
Restoration Mixes
Fine Grain Mortars
Grouts
Shotcrete



Model WSN-1000-1"

The steel main nozzle body is case hardened for longer life against abrasion. O-rings eliminate air leakage around air-chamber. Polymer tip is installed over a grooved end for a better grip with stainless steel clamp. Hole pattern allows for faster and more even dispersion of wet mix to surface. Hose end is standard male national pipe thread. Various hose connectors are available. Air is regulated by a 3/8" ball valve. Nozzle tips and styles range from 1/4" to 3/4" I.D.

CFM required 85 @ 90 PSI.

RFI CONSTRUCTION PRODUCTS

DIVISION OF CANGRO INDUSTRIES, INC.

495 Smith St., Farmingdale, N.Y. 11735-1186

Tel: 631-752-8899

Fax: 631-454-9155

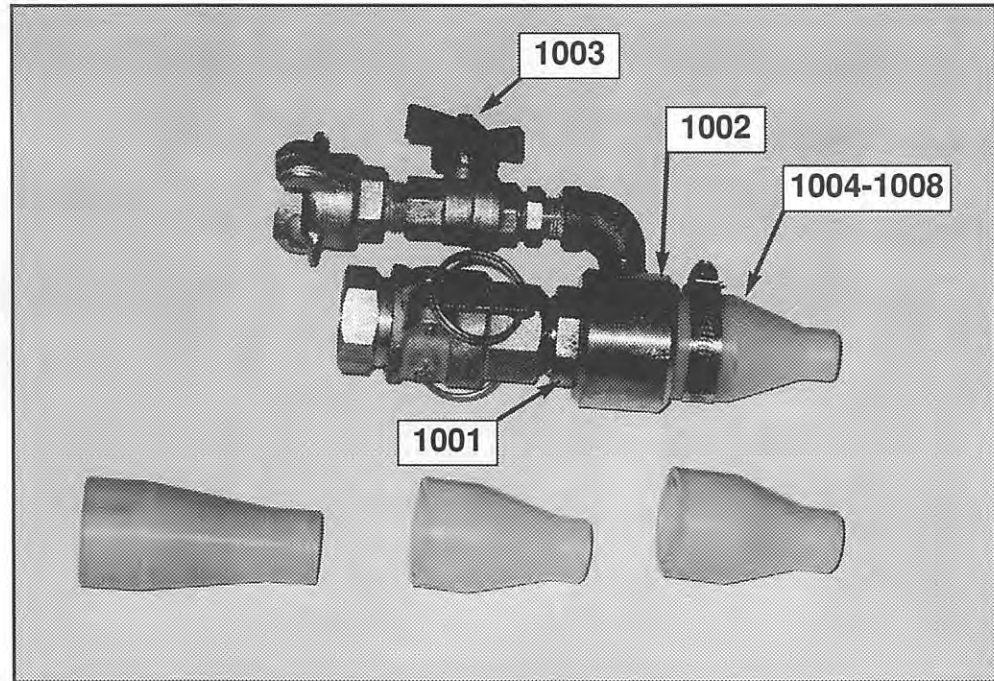
www.rficonstructionproducts.com • [email: cangrosales@ix.netcom.com](mailto:cangrosales@ix.netcom.com)

PA Office: 610-966-5689

Fax: 610-966-5683

WET SPRAY NOZZLE

Model WSN-1000 -1"



Part No.	Description
WSN-1000-1"	Nozzle Assembly
WSN-1001	Steel Body
WSN-1002	Air Ring (Alum.)
WSN-1003	3/8" Ball Valve
WSN-1004	Nozzle Tip 1/4"
WSN-1005	Nozzle Tip 3/8"
WSN-1006	Nozzle Tip 1/2"
WSN-1007	Nozzle Tip 5/8"
WSN-1008	Nozzle Tip 3/4"
WSN-1009	O-Ring #220 (2)

RFI CONSTRUCTION PRODUCTS

DIVISION OF CANGRO INDUSTRIES, INC.

495 Smith St., Farmingdale, N.Y. 11735-1186

Tel: 631-752-8899

Fax: 631-454-9155

PA Office: 610-966-5689

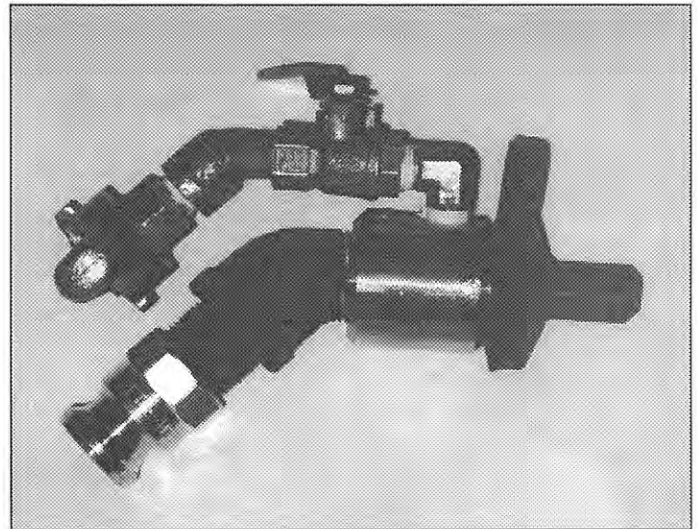
Fax: 610-966-5683

www.rficonstructionproducts.com • [email: cangrosales@ix.netcom.com](mailto:cangrosales@ix.netcom.com)

WET SPRAY NOZZLE

Applications:

Stucco
Plaster
Fireproofing
Refractory
Restoration Mixes
Fine Grain Mortars
Grouts



Model: WSN-100-1"

The "WSN" main body is a tough, lightweight aluminum. O-rings eliminate air leakage around main body and nozzle tip. Polymer tips allow for a smooth texture spray to the applied surfaces. Tip sizes range from 1/4" to 3/4" I.D. Tips are held in place by a rubber retainer cup. 3/8" Ball Valve regulates air to nozzle.

RFI CONSTRUCTION PRODUCTS

DIVISION OF CANGRO INDUSTRIES, INC.

495 Smith St., Farmingdale, N.Y. 11735-1186

Tel: 631-752-8899

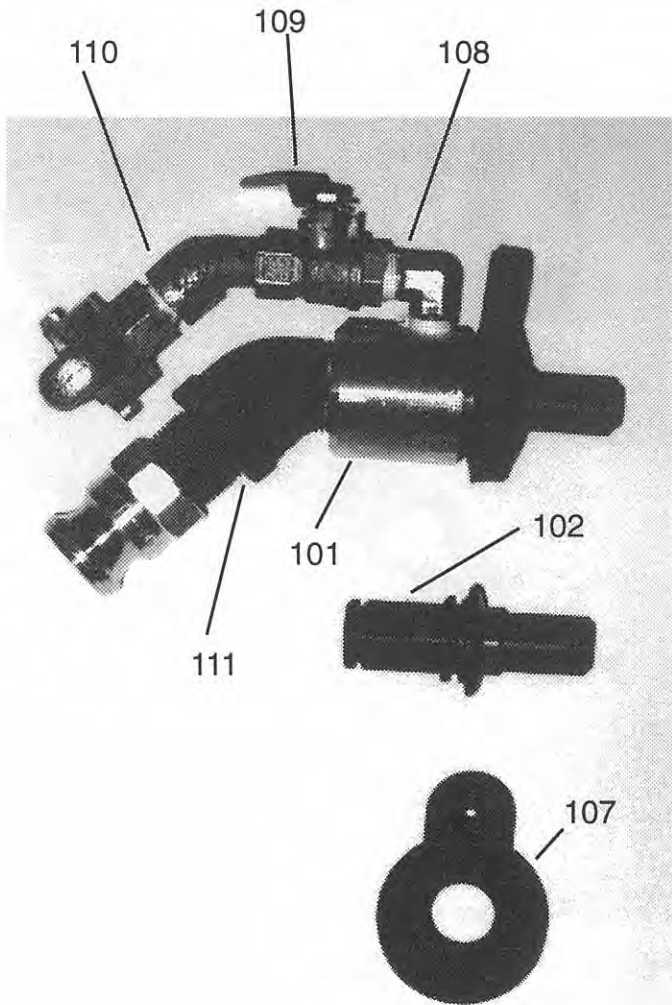
Fax: 631-454-9155

PA Office: 610-966-5689

Fax: 610-966-5683

www.rficonstructionproducts.com • [email: cangrosales@ix.netcom.com](mailto:cangrosales@ix.netcom.com)

WET SPRAY NOZZLE



WSN-100-1" COMPLETE ASSEMBLY

- WSN-101 Main Body
- WSN-102 Nozzle Tip 1/4"
- WSN-103 Nozzle Tip 3/8"
- WSN-104 Nozzle Tip 1/2"
- WSN-105 Nozzle Tip 5/8"
- WSN-106 Nozzle Tip 3/4"
- WSN-107 Tip Rubber Retainer
- WSN-108 Brass Elbow 3/8" NPT
- WSN-109 Ball Valve 3/8"
- WSN-110 Street-Ell x 45° x 3/8" NPT
- WSN-111 Street-Ell x 45° x 1" NPT

RFI CONSTRUCTION PRODUCTS

DIVISION OF CANGRO INDUSTRIES, INC.

495 Smith St., Farmingdale, N.Y. 11735-1186

Tel: 631-752-8899

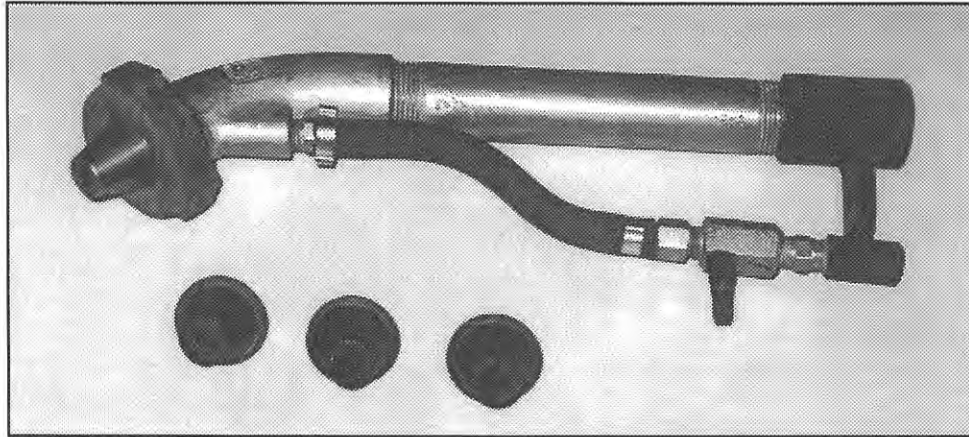
Fax: 631-454-9155

PA Office: 610-966-5689

Fax: 610-966-5683

www.rficonstructionproducts.com • [email: cangrosales@ix.netcom.com](mailto:cangrosales@ix.netcom.com)

WET SPRAY NOZZLES



Model: PE-100

The Spray-Tek Pole Gun features a unique tip design that provides a consistent pattern and requires less air than other nozzles. It is light weight and is available in 3/4" and 1" pipe size. The nozzle tips are machined and heat treated for longer life. Nozzle orifices range from 3/16" to 1/2" I.D. Pole gun length ranges from 17" to 36"

RFI CONSTRUCTION PRODUCTS

DIVISION OF CANGRO INDUSTRIES, INC.

495 Smith St., Farmingdale, N.Y. 11735-1186

Tel: 631-752-8899

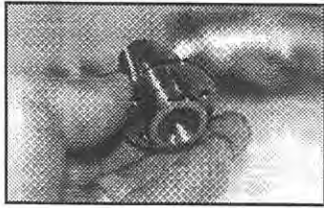
Fax: 631-454-9155

PA Office: 610-966-5689

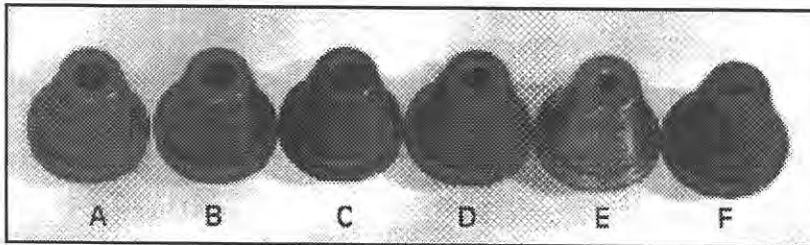
Fax: 610-966-5683

www.rficonstructionproducts.com • [email: cangrosales@ix.netcom.com](mailto:cangrosales@ix.netcom.com)

SPRAY TIPS FOR PE-100 NOZZLE



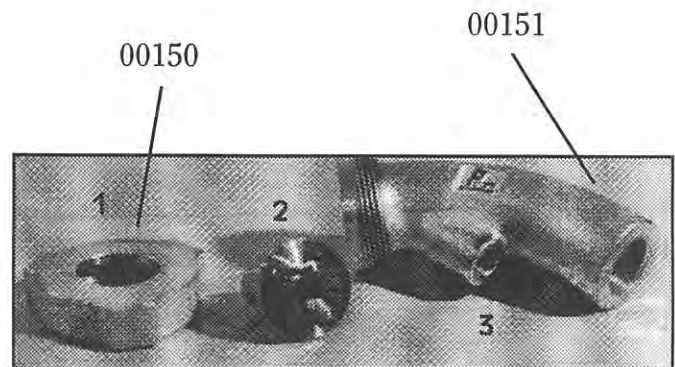
Proven to be the work horse in the industry these hardened steel tips are made to last. They are designed to make maximum use of air and provide a high quality pattern. They are machined to exacting standards so you can count on consistent results. These tips have become a common upgrade for many contractors



REF	ITEM #	DESCRIPTION
A	00143	1/2" hardened steel tip
B	00127	7/16" hardened steel tip
C	00126	3/8" hardened steel tip
D	00125	5/16" hardened steel tip
E	00124	1/4" hardened steel tip
F	00123	3/16" hardened steel tip
	00150	Tip Retainer Nut
	00151	Pole Gun Body

The pole gun retainer nut (1) and pole gun (3) are made of aluminum for light weight. The head comes standard with 3/4" female pipe thread, and is also available as 1" female pipe thread.

The tip (2) is machined to exacting standards to give a consistent spray pattern and hardened to give extra long life.



RFI CONSTRUCTION PRODUCTS

DIVISION OF CANGRO INDUSTRIES, INC.

495 Smith St., Farmingdale, N.Y. 11735-1186

Tel: 631-752-8899

Fax: 631-454-9155

PA Office: 610-966-5689

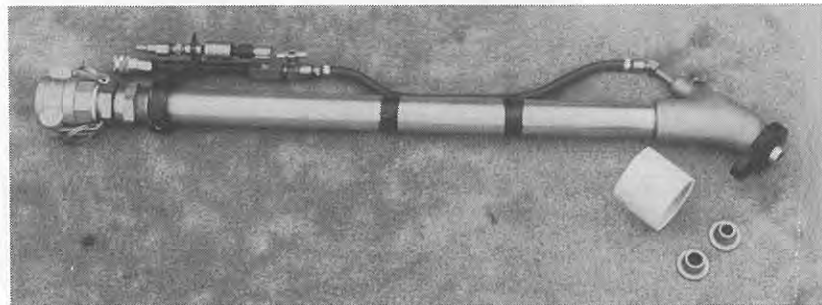
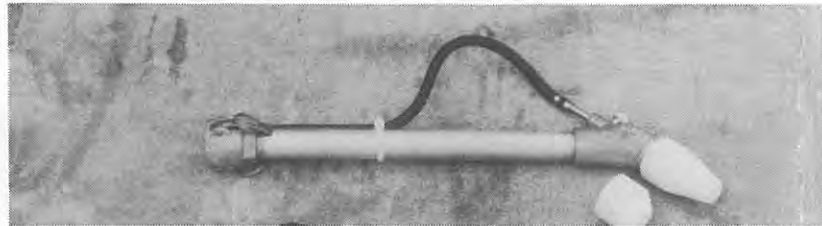
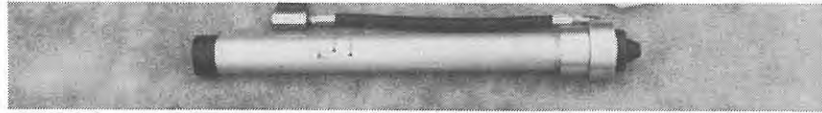
Fax: 610-966-5683

www.rficonstructionproducts.com • [email: cangrosales@ix.netcom.com](mailto:cangrosales@ix.netcom.com)

WET SPRAY NOZZLES

Applications:

Stucco
Plaster
Fireproofing
Refractory
Restoration Mixes
Fine Grain Mortars
Grouts
Shotcrete



Model PG-100

Model PG-100 comes in various lengths, from 24' to 96". The stainless steel air stem can be moved in or out to adjust your spray pattern.

There are also various tips with orifices ranging from 1/4" I.D. to 7/8" I.D. The main body comes in 1"-1 1/4" & 1 1/2" pipe size. All nozzles can be equipped with automatic shut-off of pump at spray nozzle.

RFI CONSTRUCTION PRODUCTS

DIVISION OF CANGRO INDUSTRIES, INC.

495 Smith St., Farmingdale, N.Y. 11735-1186

Tel: 631-752-8899

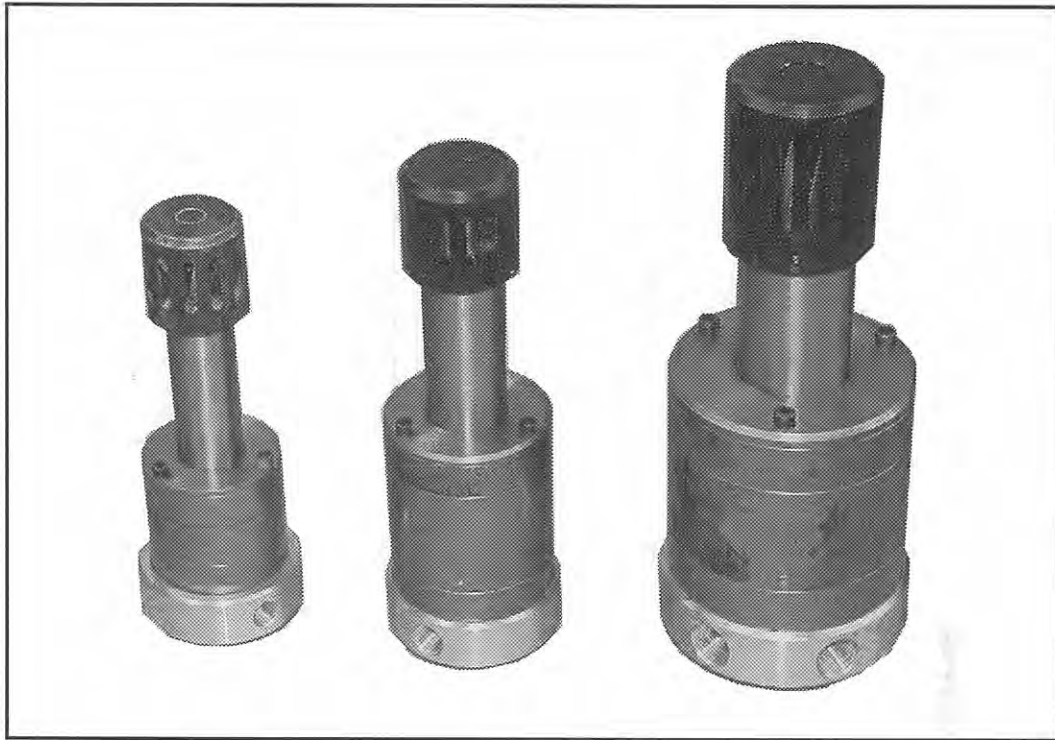
Fax: 631-454-9155

PA Office: 610-966-5689

Fax: 610-966-5683

www.rficonstructionproducts.com • [email: cangrosales@ix.netcom.com](mailto:cangrosales@ix.netcom.com)

360° "SPN" ROTARY SPRAY NOZZLE FOR FINE GRAIN MORTARS AND EPOXYS



The "SPN" Spinning Nozzle is a Hand Held or Power Feed high speed nozzle for applying fine grain mortars, grouts and epoxys to pipe, pipe fittings and manholes.

Capable of lining 4" dia. to 72" dia., with a thickness range of 1/16" to 1 inch. Material feed runs thru the center of the special air motor, eliminating wobble and reducing weight.

FIVE MODELS ARE AVAILABLE:

SPN-500	1/2" Feed Tube	Weight: 7 lbs.
SPN-750	3/4" Feed Tube	Weight: 8 lbs.
SPN-100	1" Feed Tube	Weight: 12 lbs.
SPN-1500	1 1/2" Feed Tube	Weight: 22 lbs.
SPN-2000	2" Feed Tube	Weight: 33 lbs.

Air Required: 45 to 100 CFM @ 100 PSI

RFI CONSTRUCTION PRODUCTS

DIVISION OF CANGRO INDUSTRIES, INC.

495 Smith St., Farmingdale, N.Y. 11735-1186

Tel: 631-752-8899

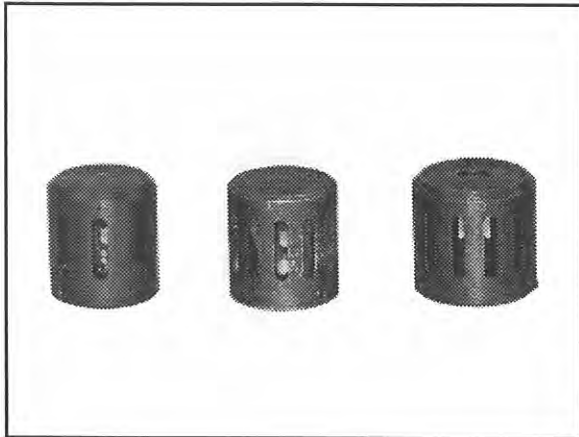
Fax: 631-454-9155

PA Office: 610-966-5689

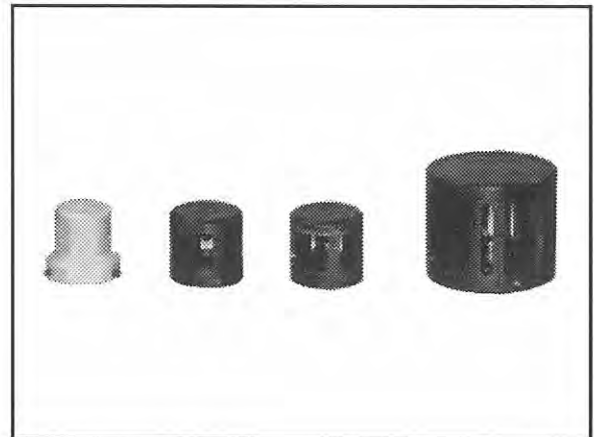
Fax: 610-966-5683

www.rficonstructionproducts.com • [email: cangrosales@ix.netcom.com](mailto:cangrosales@ix.netcom.com)

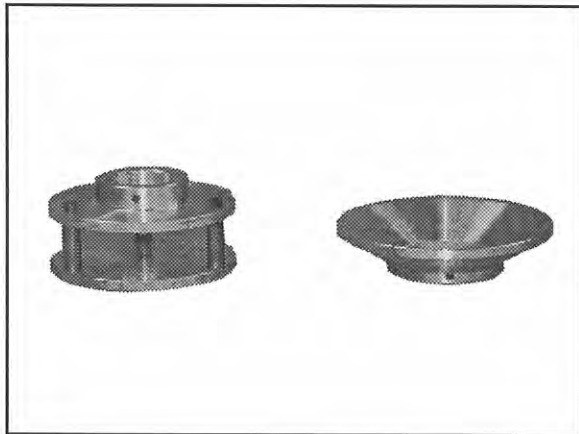
ACCESSORIES FOR "SPN" NOZZLES



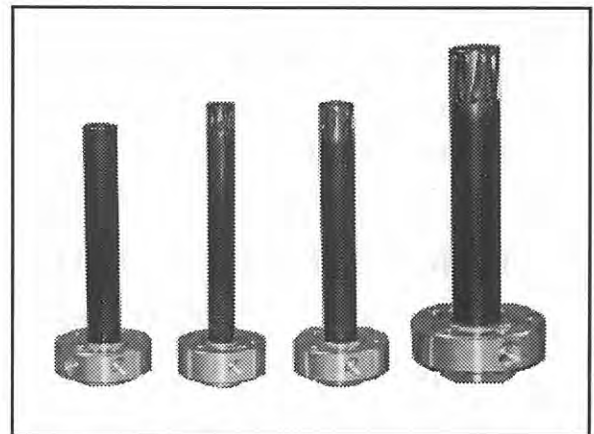
Slotted Feed Spin Heads for Non-Fibrous Materials.



Special Spin Heads for Grouts and Epoxys.



Special Fiber Spin Dish and Angle Placing Dish for Manhole Repair.



Assembly Feed Tube Assembly.

RFI CONSTRUCTION PRODUCTS

DIVISION OF CANGRO INDUSTRIES, INC.

495 Smith St., Farmingdale, N.Y. 11735-1186

Tel: 631-752-8899

Fax: 631-454-9155

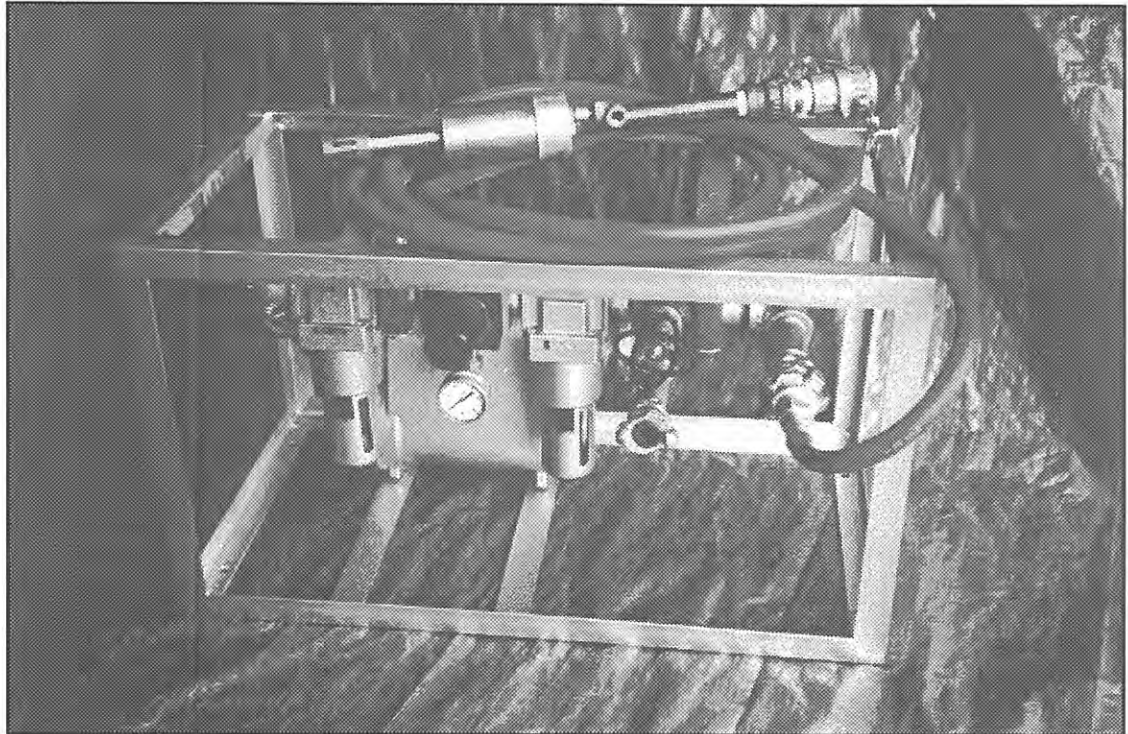
www.rficonstructionproducts.com • [email: cangrosales@ix.netcom.com](mailto:cangrosales@ix.netcom.com)

PA Office: 610-966-5689

Fax: 610-966-5683

MOISTURE SEPARATOR AND LUBRICATOR for "SPN" NOZZLES

MODEL DA-300



MODEL DA300-FRO-1" MOISTURE SEPARATOR

Model D300-FRO-1" Moisture Separator collects condensate from airline and delivers clean dry air to spinning nozzle. Automatic drain valve ejects liquids from airline. Filter, regulator and lubricator with transparent bowl and metal guard. Automatic drain on filter, and air gauge on regulator. Operator control valve for regulating RPM of spin nozzle. Components mounted in a steel tubular frame.

RFI CONSTRUCTION PRODUCTS

DIVISION OF CANGRO INDUSTRIES, INC.

495 Smith St., Farmingdale, N.Y. 11735-1186

Tel: 631-752-8899

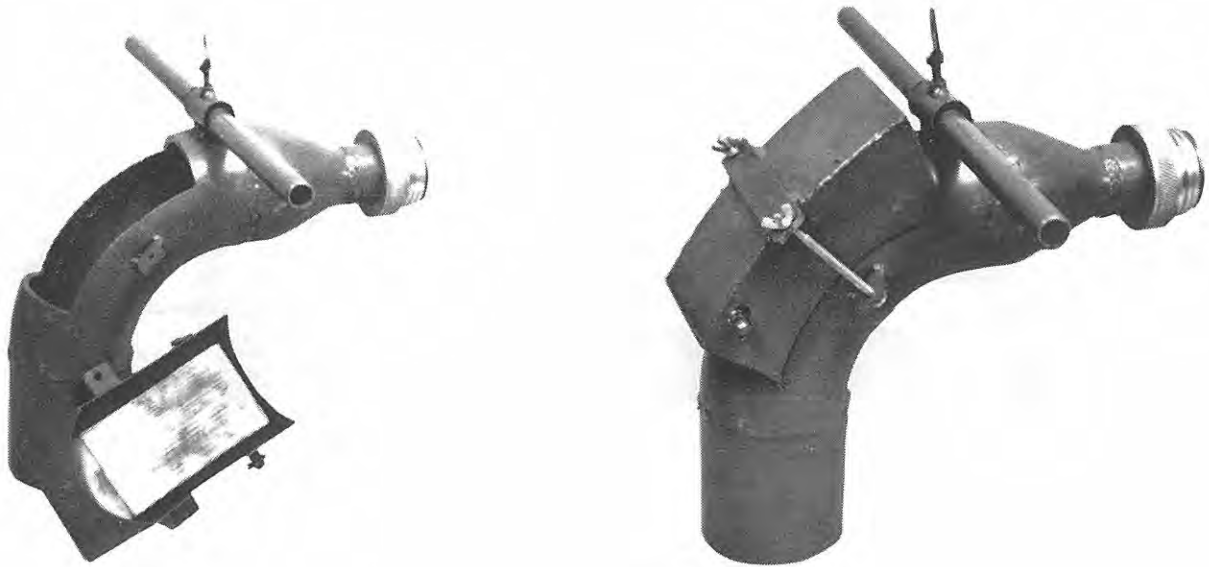
Fax: 631-454-9155

PA Office: 610-966-5689

Fax: 610-966-5683

www.rficonstructionproducts.com • [email: cangrosales@ix.netcom.com](mailto:cangrosales@ix.netcom.com)

REFRACTORY CASTABLE PLACING HEAD



The model 400 enables a contractor to take his dry gunning equipment and turn it into a wet placing system, eliminating the high velocity of air and material rebound. The concrete placing head is connected to the nozzle body where water is introduced into the castable. The mixed material passes through a series of projectors and spiral blades which brake the velocity of the air and material allowing the wet mix to flow out the end.

Uses include pouring soaking pit covers, floors, decks, between forms and boiler tubes.

RFI CONSTRUCTION PRODUCTS

DIVISION OF CANGRO INDUSTRIES, INC.

495 Smith St., Farmingdale, N.Y. 11735-1186

Tel: 631-752-8899

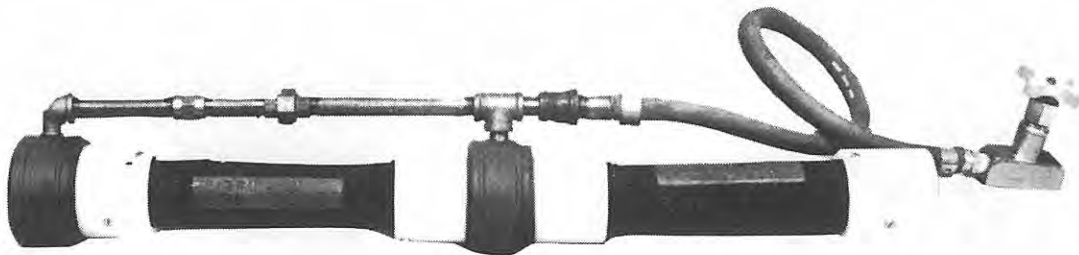
Fax: 631-454-9155

PA Office: 610-966-5689

Fax: 610-966-5683

www.rficonstructionproducts.com • [email: cangrosales@ix.netcom.com](mailto:cangrosales@ix.netcom.com)

DOUBLE NOZZLE WETTING ASSEMBLY



The Double Wetting Assembly allows for thorough wetting of refractory castables and shotcrete mixes. Connected with the Model 400 Placing Head, a contractor can use his dry gunning equipment to place wet refractory castable or gun a wet shotcrete mix.

This system has greater wetting capabilities along with precise wetting control through double water rings and water metering valve.

Available in 1¼, 1½, 1-5/8, and 2 inch sizes.

RFI CONSTRUCTION PRODUCTS

DIVISION OF CANGRO INDUSTRIES, INC.

495 Smith St., Farmingdale, N.Y. 11735-1186

Tel: 631-752-8899

Fax: 631-454-9155

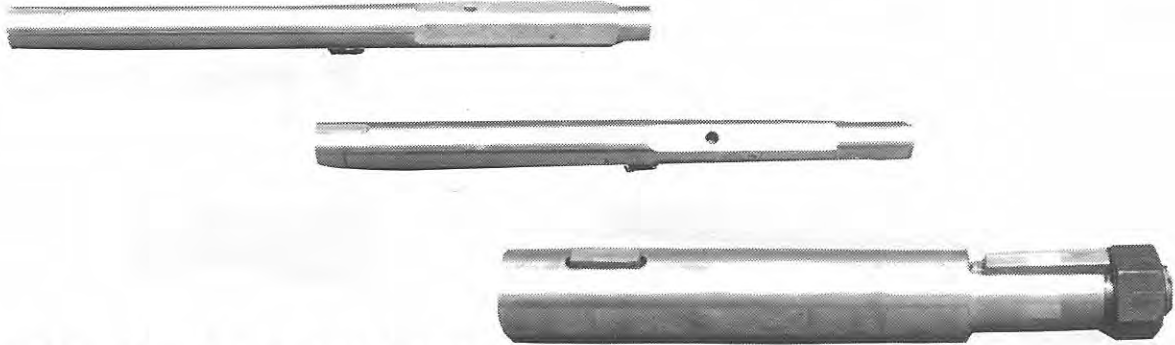
PA Office: 610-966-5689

Fax: 610-966-5683

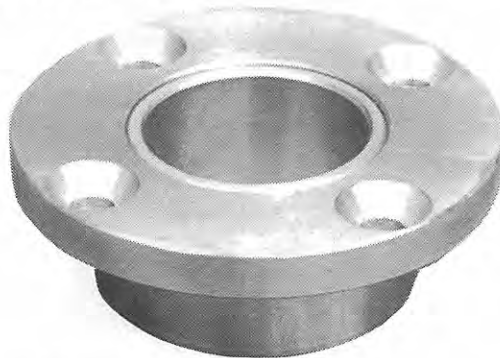
www.rficonstructionproducts.com • [email: cangrosales@ix.netcom.com](mailto:cangrosales@ix.netcom.com)

REPLACEMENT PARTS FOR ALLENTOWN and MI-CON GUNS

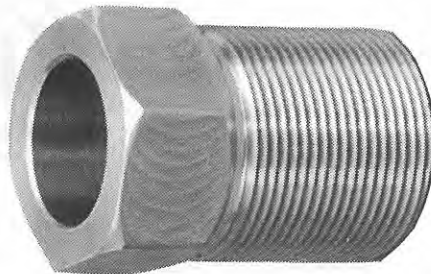
Shafts for N-1, N-2, N-3 & MA3 Gun



Packing Gland – Feed Wheel Shaft



Packing Nut – Lower Cone Valve Shaft



Cone Valve Lever



RFI CONSTRUCTION PRODUCTS

DIVISION OF CANGRO INDUSTRIES, INC.

495 Smith St., Farmingdale, N.Y. 11735-1186

Tel: 631-752-8899

Fax: 631-454-9155

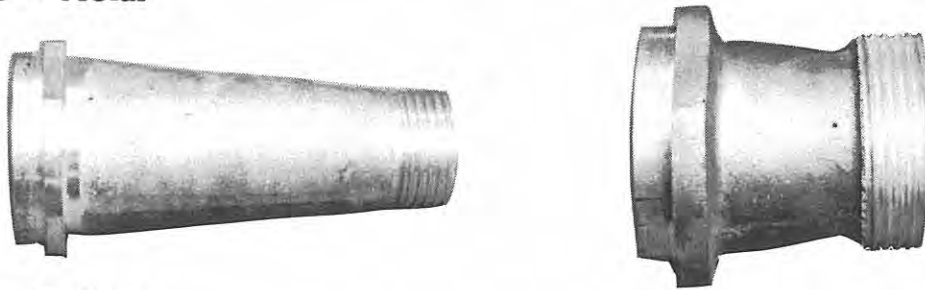
www.rficonstructionproducts.com • [email: cangrosales@ix.netcom.com](mailto:cangrosales@ix.netcom.com)

PA Office: 610-966-5689

Fax: 610-966-5683

REPLACEMENT PARTS FOR ALLENTOWN and MI-CON GUNS

Funnel Flange - Metal



Outlet Valve - Rubber



Worm & Worm Wheel



Gaskets:

Material — Rubber Compound

Base Gasket N-1

Base Gasket N-2, N-3, & MA3

Upper Chamber Gasket N-1, N-2, N-3, & MA3

Faceplate Gasket N-1, N-2, N-3, & MA3



RFI Also Stocks:

- Air Valves & Gauges
- Air Check Valves
- Air Motors
- Air Motor Lubricator
- Air Motor Coupling
- Complete Upper Section
- Cone Valve Arm
- Cone Valve
- Packing

RFI CONSTRUCTION PRODUCTS

DIVISION OF CANGRO INDUSTRIES, INC.

495 Smith St., Farmingdale, N.Y. 11735-1186

Tel: 631-752-8899

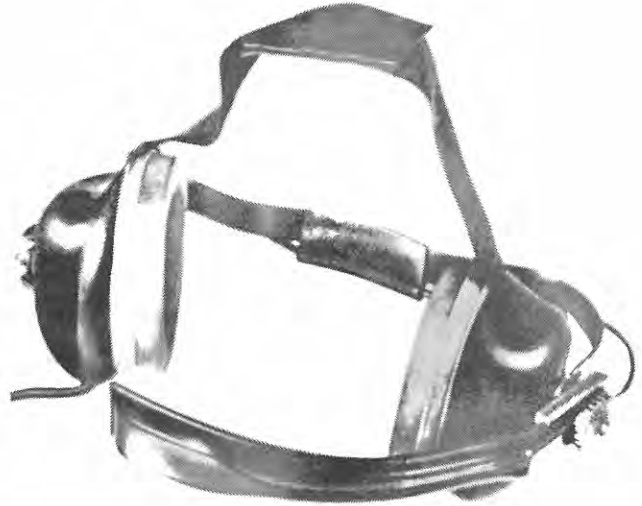
Fax: 631-454-9155

www.rficonstructionproducts.com • [email: cangrosales@ix.netcom.com](mailto:cangrosales@ix.netcom.com)

PA Office: 610-966-5689

Fax: 610-966-5683

COMMUNICATION SET



SOUND POWERED HEADSETS

MODEL H5040

Sound-powered headsets are precision-built units. They feature long service life, maintenance-free operation, noise-free reception, and are portable. The set is weather and dust proof for rugged applications. Available with single or double receivers, with or without press-to-talk switch. A 10" cordset is provided; other cordsets are available.

EXTENSION CORDS



Extension Cords (two-conductor neoprene jacketed cable) Termination code. (A plug is always male, a jack is always female.) MT = male threaded locking plug. FT = female threaded locking jack.

RFI CONSTRUCTION PRODUCTS

DIVISION OF CANGRO INDUSTRIES, INC.

495 Smith St., Farmingdale, N.Y. 11735-1186

Tel: 631-752-8899

Fax: 631-454-9155

PA Office: 610-966-5689

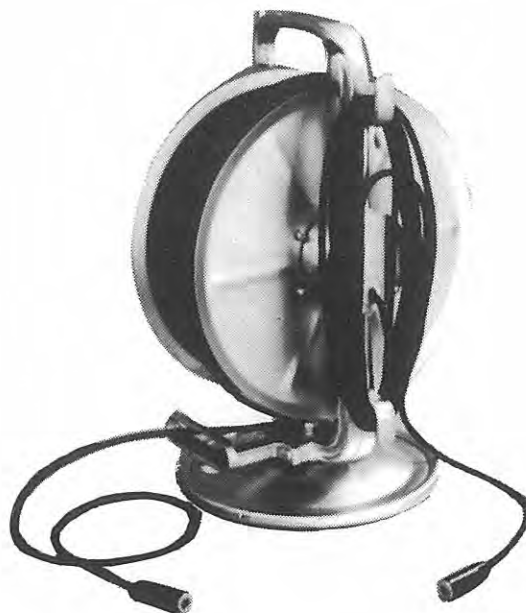
Fax: 610-966-5683

www.rficonstructionproducts.com • [email: cangrosales@ix.netcom.com](mailto:cangrosales@ix.netcom.com)

RFI COMMUNICATIONS REEL

MODEL SPS-600

"CommuniPak" reel stores 500 feet of cable neatly and conveniently. Used extensively on construction sites and subsurface applications such as under-street and tunnel work as well as inside steel and concrete structures. Hand-wound reel has slip-ring contacts allowing conversation at any degree of cable extension, adjustable brake and lock, free-turning winding knob and ball-bearing swivel base. Threaded locking connectors will not break or pull apart on the job. Reel is also available with a pipe clamp for permanent mounting.



HANDSETS

NOTE: RFI handsets with suffix "S" on model number have four-and-one-half-foot straight cordsets.

MODEL SPT-148 MODEL SPT-148S
For multi-phone setups. Has push-to-operate button in handle.

All handsets are black phenolic plastic, high-level voice concentrating cup-type mouthpiece, two-conductor PVC jacketed cordset. Equipped with one-quarter inch phone plug attached to cordset.

JUNCTION BOX

A heavy duty metal box with weather-proof covers. Accommodates up to six plugs from headsets or extension cords. The heart of a portable system.



RFI CONSTRUCTION PRODUCTS

DIVISION OF CANGRO INDUSTRIES, INC.

495 Smith St., Farmingdale, N.Y. 11735-1186

Tel: 631-752-8899

Fax: 631-454-9155

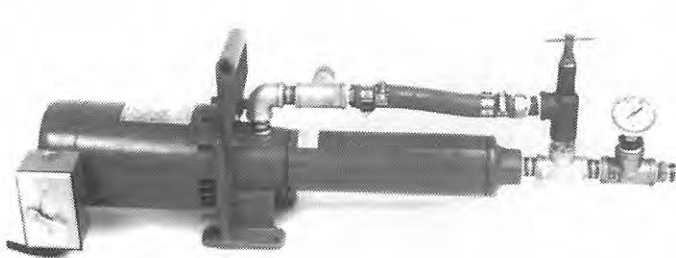
www.rficonstructionproducts.com • [email: cangrosales@ix.netcom.com](mailto:cangrosales@ix.netcom.com)

PA Office: 610-966-5689

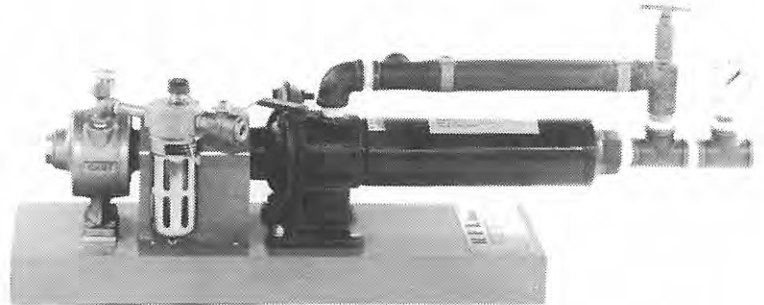
Fax: 610-966-5683

WATER BOOSTER PUMP

High Pressure
Pressure to 250 PSI
Capacities to 8 GPM
Equipped with Air or Electric Power



Electric



Air

The Model BP250 Water Booster Pump increases your inplant or field water pressure for guniting, refractory gunning, shotcreting, cleaning swimming pools, and construction equipment. Portable, easy to install and is virtually trouble and maintenance free.

The multi-style design has no pistons or packing to wear out. No troublesome internal valves—no special adjustments have to be made.

The BP250 gives you constant high velocity impact needed to properly hydrate gunning mixes at the nozzle.

FEATURES:

Portable: Weighs only 50 lbs.

Power: Electric Standard 115 or 230 volt 60 hz, 1 phase

Air - 3/4 HP - 3500 RPM

By-Pass Pressure Relief Valve Assembly

Connections: 3/4" NPT

RFI CONSTRUCTION PRODUCTS

DIVISION OF CANGRO INDUSTRIES, INC.

495 Smith St., Farmingdale, N.Y. 11735-1186

Tel: 631-752-8899

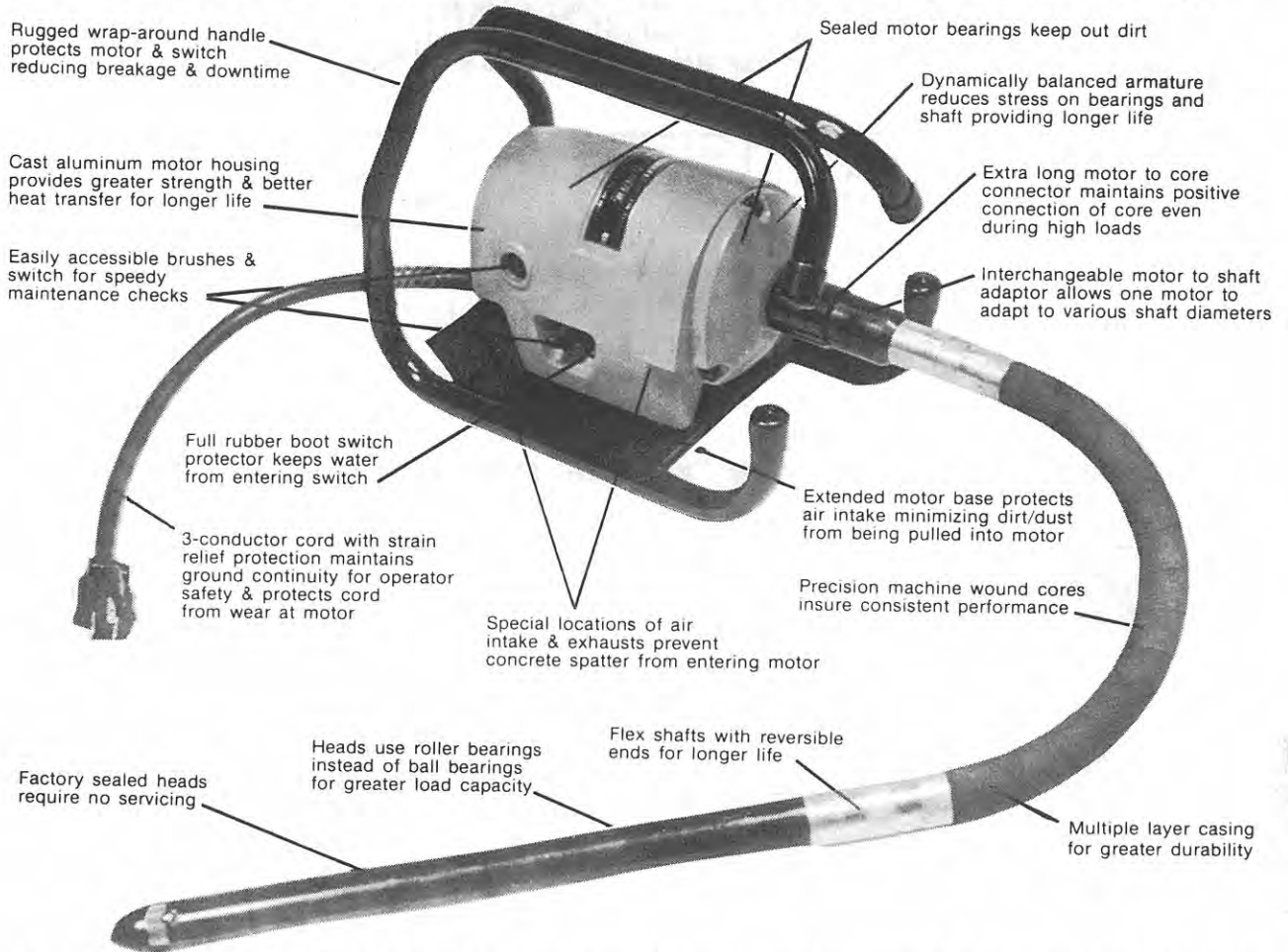
Fax: 631-454-9155

PA Office: 610-966-5689

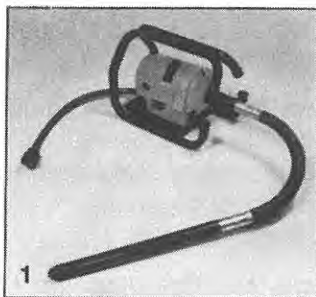
Fax: 610-966-5683

www.rficonstructionproducts.com • [email: cangrosales@ix.netcom.com](mailto:cangrosales@ix.netcom.com)

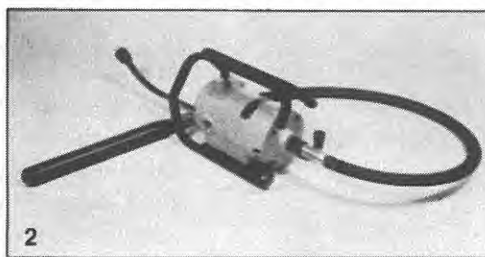
THE RFI "VIBRATOR SYSTEM" OFFERS MANY OUTSTANDING BENEFITS FOR THE CONTRACTOR...



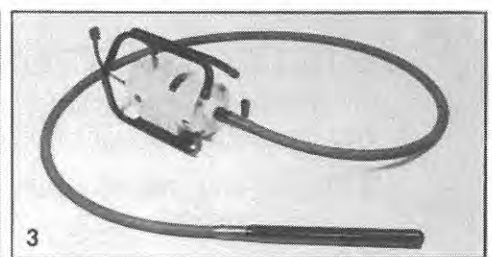
THERE IS AN RFI CONCRETE "VIBRATOR SYSTEM" FOR EVERY NEED...



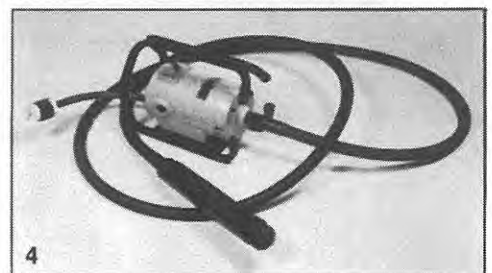
1 Ideal for jobs such as slab work
1 hp motor - 1½ ft. shaft - 1 in. head



2 Used mostly for walls
2 hp motor - 7 ft. shaft - 1¾ in. head



3 All purpose size insures good concrete consolidation for the average job. 2 hp motor - 10 ft. shaft - 1½ in. head



4 Highest productivity unit for the really tough jobs like bridge abutments. 3 hp motor - 15 ft. shaft - 2¼ in. head

RFI CONSTRUCTION PRODUCTS

DIVISION OF CANGRO INDUSTRIES, INC.

495 Smith St., Farmingdale, N.Y. 11735-1186

Tel: 631-752-8899

Fax: 631-454-9155

www.rficonstructionproducts.com • [email: cangrosales@ix.netcom.com](mailto:cangrosales@ix.netcom.com)

PA Office: 610-966-5689

Fax: 610-966-5683

SPECIFICATIONS





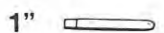





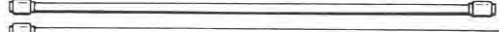












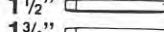
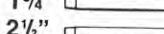

ELECTRIC MOTORS				
HP	Max. HP	Volts	Amps	Weight
1 HP	1.7 HP	115	11	15#
2 HP	2.6 HP	115	16	21#
3 HP	4.0 HP	115	25	25#

FLEXSHAFTS	
Length	Weight
3	3 lbs.
5	5 lbs.
7	8 lbs.
10	10 lbs.
14	14 lbs.

HEADS				
Diameter	Length	Radius of influence	Centrifugal Force*	Weight
1"	12 3/4"	5"	190#	4#
1 1/4"	13 3/4"	7"	450#	5#
1 1/2"	14 3/4"	14"	790#	6#
1 3/4"	16"	18"	1280#	8#
2"	16 5/8"	23"	1770#	12#

*Centrifugal force in lbs. at 12,000 rpm

See how versatile our concrete "vibrator system" really is:

<div style="border: 1px solid black; border-radius: 50%; width: 40px; height: 40px; display: flex; align-items: center; justify-content: center; margin: 0 auto;"> <div style="font-size: 24px; font-weight: bold; margin-right: 5px;">1</div> <div style="font-size: 12px; font-weight: bold; margin-right: 5px;">H.P.</div> </div> 	 3 ft.  7 ft.  10 ft.	Dia.  1"  1 1/4"  1 1/2"
<div style="border: 1px solid black; border-radius: 50%; width: 40px; height: 40px; display: flex; align-items: center; justify-content: center; margin: 0 auto;"> <div style="font-size: 24px; font-weight: bold; margin-right: 5px;">2</div> <div style="font-size: 12px; font-weight: bold; margin-right: 5px;">H.P.</div> </div> 	 3 ft.  7 ft.  10 ft.  14 ft.	 1"  1 1/4"  1 1/2"  1 3/4"
<div style="border: 1px solid black; border-radius: 50%; width: 40px; height: 40px; display: flex; align-items: center; justify-content: center; margin: 0 auto;"> <div style="font-size: 24px; font-weight: bold; margin-right: 5px;">3</div> <div style="font-size: 12px; font-weight: bold; margin-right: 5px;">H.P.</div> </div> 	 1 1/2 ft.  7 ft.  10 ft.  14 ft.	 1"  1 1/4"  1 1/2"  1 3/4"  2 1/2"

BUILT CONTRACTOR TOUGH

Engineered with the contractor in mind when they designed this tough piece of equipment.

- Rugged wrap-around handle protects motor & switch
- Sealed motor bearings keep out dust & dirt
- Extra heavy-duty motor for reserve power
- Dynamically balanced armature minimizes stress on bearings & shaft

APPLICATION VERSATILITY

The "system" offers the contractor a product to fit a variety of job-site applications. Our interchangeable components (motor to shaft to head) allow for quick-change adaptations to any situations

- Three heavy-duty electric motors
- Four standard length shafts
- Couplings option to "tailor make" unique shaft lengths
- Five popular head sizes

RFI CONSTRUCTION PRODUCTS

DIVISION OF CANGRO INDUSTRIES, INC.

495 Smith St., Farmingdale, N.Y. 11735-1186

Tel: 631-752-8899

Fax: 631-454-9155

www.rficonstructionproducts.com • [email: cangrosales@ix.netcom.com](mailto:cangrosales@ix.netcom.com)

PA Office: 610-966-5689

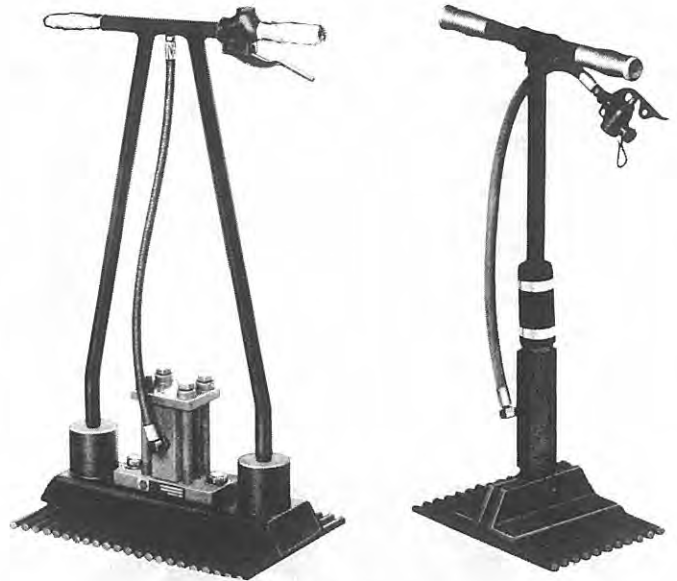
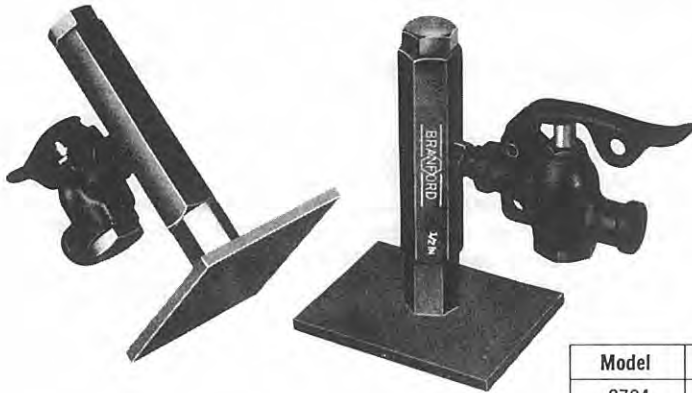
Fax: 610-966-5683

GRID TAMPERS

■ SERIES GT

Two styles to provide panel manufacturers a fast means of densifying very low slumps concrete for high strength in plain, escalloped and exposed concrete panels. The pneumatic models have an on/off valve at the handle.

Model	Grid Size	Wgt. Lbs.
GT-15	8" x 12"	22
GT-25	12" x 18"	50



VIBRA-TAMPERS

■ SERIES 2700

These handy tampers incorporating standard Branford Vibrators and Air Valves enable densification and fast finishing of special panels from low moisture concrete.

Model	Piston	Plate Size	Wgt. Lbs.
2704	1/2"	3" x 4"	2 1/2
2708	1"	5" x 6"	6

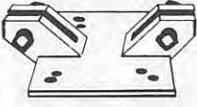

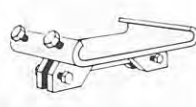



VIBRATING TROWEL

■ MODEL 2910

Featuring an 8" x 14" surface and a shock absorbing rubber grip provide an excellent means of densifying low slump concrete especially small panels. The trowel also speeds packing and simplifies finishing by automatically bringing moisture to surface.



MOUNTING BRACKETS

HD Series		HF 20/40	HF40S		
					
AM Horizontal Clamping Bracket (For Electric Vibrators)	AR Dovetail Bracket (For Electric Vibrators)	AA-M Bracket (For high frequency vibrators only)	WB for HF40S Bracket welded to hopper. HF40S Vibrator bolts to bracket.	AR for HF40S Bracket slips into female bracket provided on RR hopper cars. Vibrator bolts to bracket.	AHM for HF40S Bracket for portable bolt-on attachment to structural members up to 7/8" in thickness.

RFI CONSTRUCTION PRODUCTS

DIVISION OF CANGRO INDUSTRIES, INC.

495 Smith St., Farmingdale, N.Y. 11735-1186

Tel: 631-752-8899

Fax: 631-454-9155

www.rficonstructionproducts.com • [email: cangrosales@ix.netcom.com](mailto:cangrosales@ix.netcom.com)

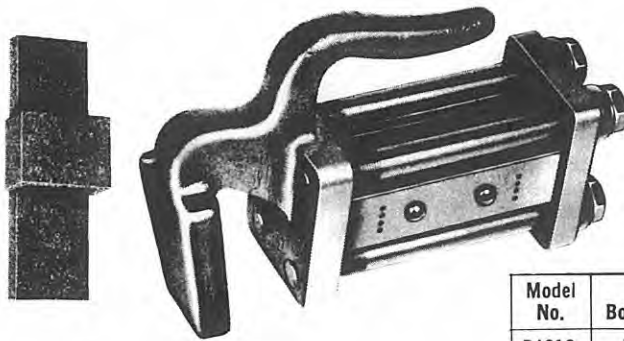
PA Office: 610-966-5689

Fax: 610-966-5683

WEDGE HEAD VIBRATORS

■ SERIES 4200

This air operated series produce high impact vibratory energy to assure placement of concrete within intricately shaped forms. The handle is an integral part of the cast steel head.



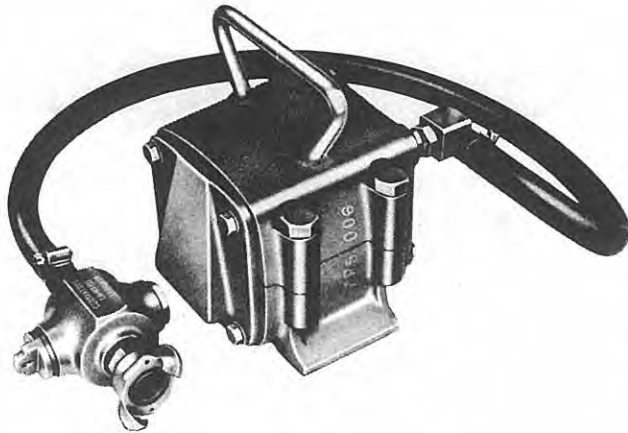
Model No.	Bore Size	Wgt. Lbs.
R4212	1½"	21
R4216	2"	26
R4224	3"	55

ROTARY HIGH FREQUENCY VIBRATORS

■ SERIES HF

These lightweight, pneumatically operated vibrators produce high magnitude energies at low amplitudes to provide dependable, rapid densification of low slump concrete in all types of casting operations. When operated at 90 PSI (max.) air pressure, air consumption is 42 CFM for the HF20 and 46 for the HF40 with both sizes delivering 10,500 VPM (max.).

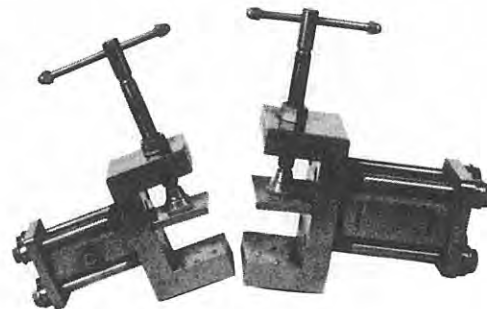
Model	Force Lbs. Max.	Wgt. Lbs.
HF20	3,000	40
HF40	5,000	50



CLAMP-ON VIBRATOR

■ SERIES R4600

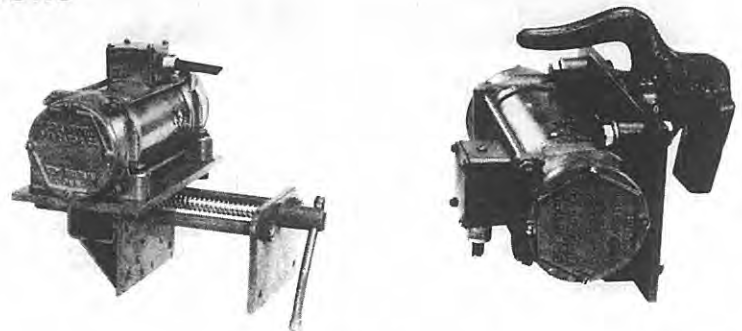
A high impact pneumatic vibrator for attaching to forms, patterns, shakeouts, shipping pallets, etc. Locking nuts prevent accidental loosening of clamps. Model R4610 has 2" bore and 4" (max.) jaw opening.



ELECTRIC HIGH FREQUENCY VIBRATORS

■ SERIES HS-9

Featuring adjustable frequency from 3000 to 8000 VPM, this vibrator is available with wedgehead or locking clamp for portability or conventional permanent mounting. Low amplitude and energy transmission result in low form stress.



RFI CONSTRUCTION PRODUCTS

DIVISION OF CANGRO INDUSTRIES, INC.

495 Smith St., Farmingdale, N.Y. 11735-1186

Tel: 631-752-8899

Fax: 631-454-9155

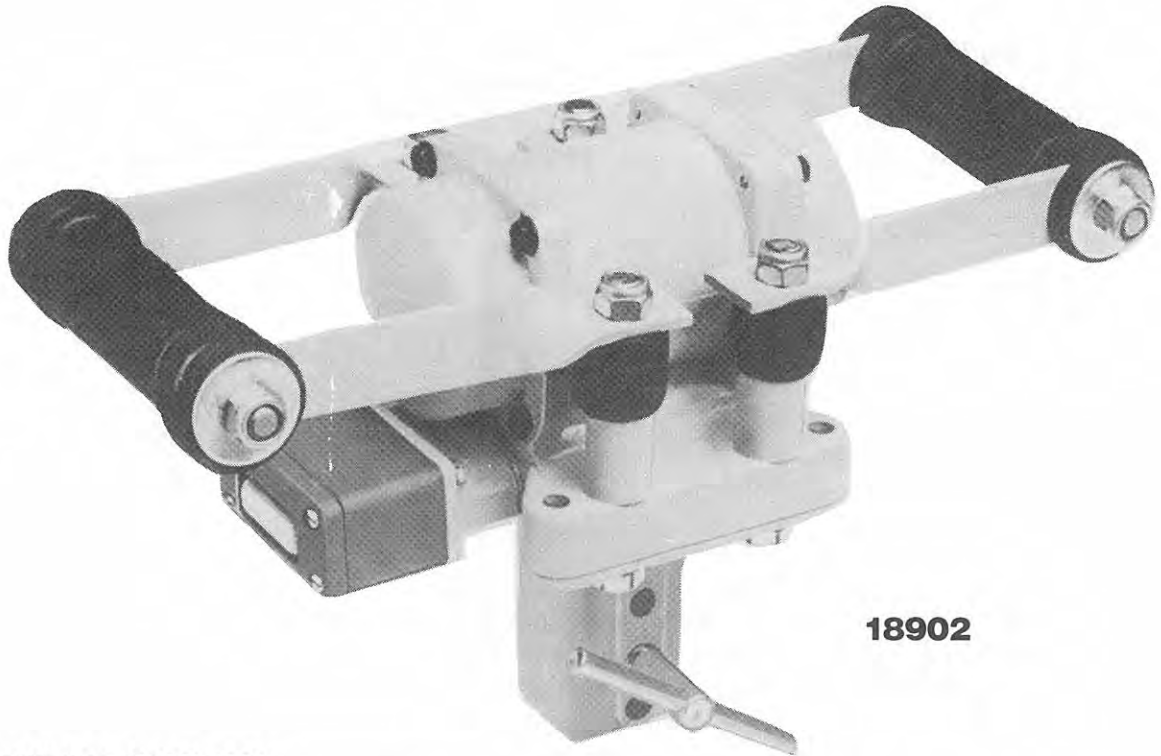
www.rficonstructionproducts.com • [email: cangrosales@ix.netcom.com](mailto:cangrosales@ix.netcom.com)

PA Office: 610-966-5689

Fax: 610-966-5683

BOSCH REFRACTORY TAMPER

Model 18902



18902

ELECTRIC TAMPER, MODEL 18902

- Construction applications—compacting stone in tight quarters, form vibrating and tamping
- Industrial applications—vibrating molds, compacting sand and furnace linings.
- Explosion-proof motor allows operation in explosive atmospheres.
- Anti-vibration handles for operator comfort.

Specifications

Model 18902

Rating	220/440V, 60 Cycles, 3 Phase
Watts In	150
No Load Strokes/Min.	3,000
Adjustable impact force	200 to 550 FT/LBS
Compaction Capacity	4"
Weight	24.25 lbs.

Standard Equipment:

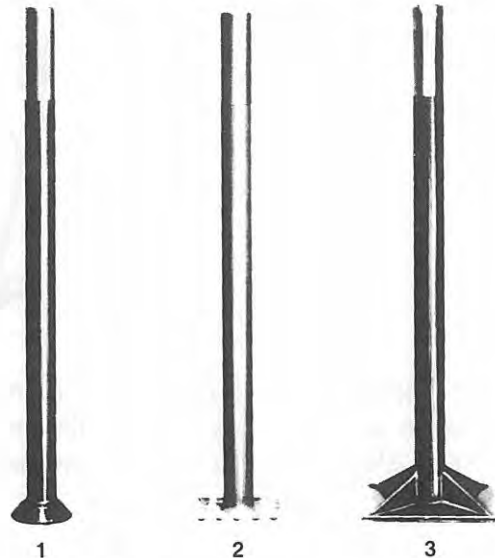
3 sets of weights #1 610 148 004
(44 ft./lbs./set)—Total impact force 330 FT/LBS

Optional Equipment:

66 FT/LBS weight
Set #1 610 148 002

NOTE: Maximum combination of weight sets to produce 550 FT/LBS is 6 sets of 44 lbs and 1 set of 66 lbs.

Insert Tools: (Made To Specification)



RFI CONSTRUCTION PRODUCTS

DIVISION OF CANGRO INDUSTRIES, INC.

495 Smith St., Farmingdale, N.Y. 11735-1186

Tel: 631-752-8899

Fax: 631-454-9155

PA Office: 610-966-5689

Fax: 610-966-5683

www.rficonstructionproducts.com • [email: cangrosales@ix.netcom.com](mailto:cangrosales@ix.netcom.com)

ROTOR/STATOR PUMP FOR FINE GRAIN MORTARS AND COATINGS

Model RSP200



Model RSP-200 is a rugged rotor/stator pump with variable output for the specialty cement industry. Handles materials from paint to fine grain mortars, material output up to 3 gpm with a maximum pumping pressure of 300 psi. Material delivery and pressure depend on type and slump of material as well as distance and hose diameter.

All components are removable from frame for ease of cleaning and handling. Fits thru 30" wide doorway, lightweight, remote control for nozzleman, waterproof control box, pump reverse jog button to relieve pressure in hose line for safety, single phase electric power standard, other power available.

RFI CONSTRUCTION PRODUCTS

DIVISION OF CANGRO INDUSTRIES, INC.

495 Smith St., Farmingdale, N.Y. 11735-1186

Tel: 631-752-8899

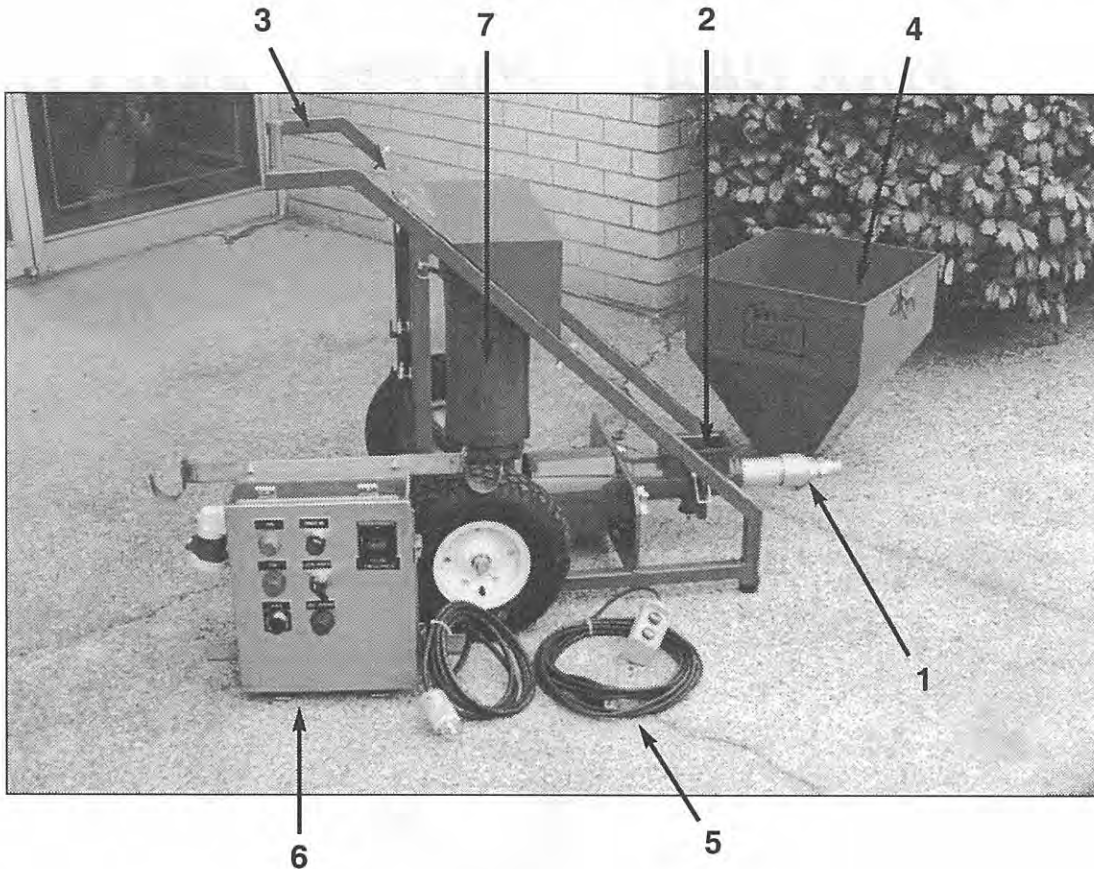
Fax: 631-454-9155

PA Office: 610-966-5689

Fax: 610-966-5683

www.rficonstructionproducts.com • [email: cangrosales@ix.netcom.com](mailto:cangrosales@ix.netcom.com)

Model RSP200



- 1 1L3 Rotor/stator
0-3 gpm - 300 psi pump pressure
- 2 Quick Disconnect
Pump Housing
- 3 Lightweight Tubular Frame on (2) pneumatic wheels
- 4 Steel 15 Gal. Hopper
- 5 35 ft. remote control cord with on/off pendant
- 6 Waterproof - removable stainless steel NEMA-4X Control Box
Variable speed control
Reverse jog button
Main Power Switch - with light
On/off rubber covered buttons
- 7 2 H.P. 220 volt, 20 amp
Single phase variable
Speed Motor

DIMS: 29 w x 35" h x 42" long
WT: 200 lbs.

RFI CONSTRUCTION PRODUCTS

DIVISION OF CANGRO INDUSTRIES, INC.

495 Smith St., Farmingdale, N.Y. 11735-1186

Tel: 631-752-8899

Fax: 631-454-9155

www.rficonstructionproducts.com • [email: cangrosales@ix.netcom.com](mailto:cangrosales@ix.netcom.com)

PA Office: 610-966-5689

Fax: 610-966-5683

ROTOR/STATOR PUMP FOR PIPE, PIPE FITTINGS and MANHOLES

MODEL RSP500



AIR MOTOR POWER

Model RSP500 is a rugged rotor/stator pump with variable output for the specialty cement industry. Handles materials from paint to fine grain mortars, material output up to 6 gpm with a maximum pumping pressure of 300 psi. Material delivery and pressure depend on type and slump of material as well as distance and hose diameter.

All components are removable from frame for ease of cleaning and handling. Fits thru 30" wide doorway, lightweight, 5HP air motor, variable speed, with reverse feature to relieve pressure in hose line for safety. Accepts 1L3, 2L3 and 2L4 rotor/stator pumps, pumping distances up to 100 feet.

RFI

CONSTRUCTION PRODUCTS

DIVISION OF CANGRO INDUSTRIES, INC.

495 Smith St., Farmingdale, N.Y. 11735-1186

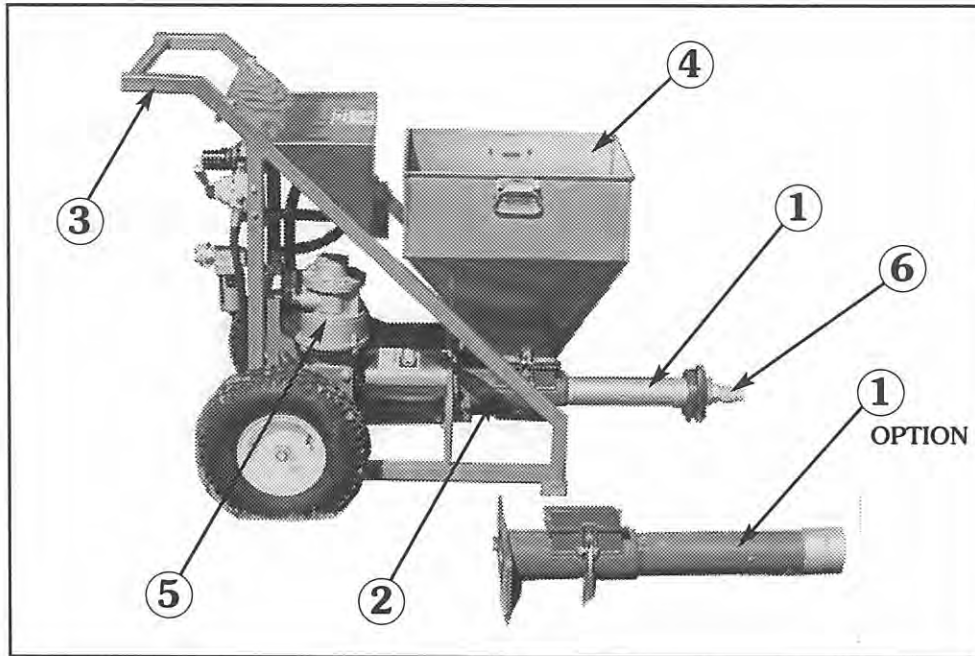
Tel: 631-752-8899

Fax: 631-454-9155

PA Office: 610-966-5689

Fax: 610-966-5683

MODEL: RSP500



FEATURES

- 1 Rotor/Stator – 1L3 and 2L3 output 3 gpm (2L4 output 6 gpm – option)
- 2 Quick Disconnect Pump Housing with cleanout plug
- 3 Lightweight Tubular Frame on (2) pneumatic wheels
- 4 15 Gal. Stainless Steel Hopper with quick disconnect clamps
- 5 5HP Air Motor with filter, oiler, pressure regulator and gauge, variable speed, reverse, requires 100 cfm @90 psi
- 6 1 1/4 Outlet with Quick Clamp

SPECIFICATIONS

DIMENSIONS: 29" w x 35" h x 42" long

WEIGHT: 150 lbs.

RFI

CONSTRUCTION PRODUCTS

DIVISION OF CANGRO INDUSTRIES, INC.

495 Smith St., Farmingdale, N.Y. 11735-1186

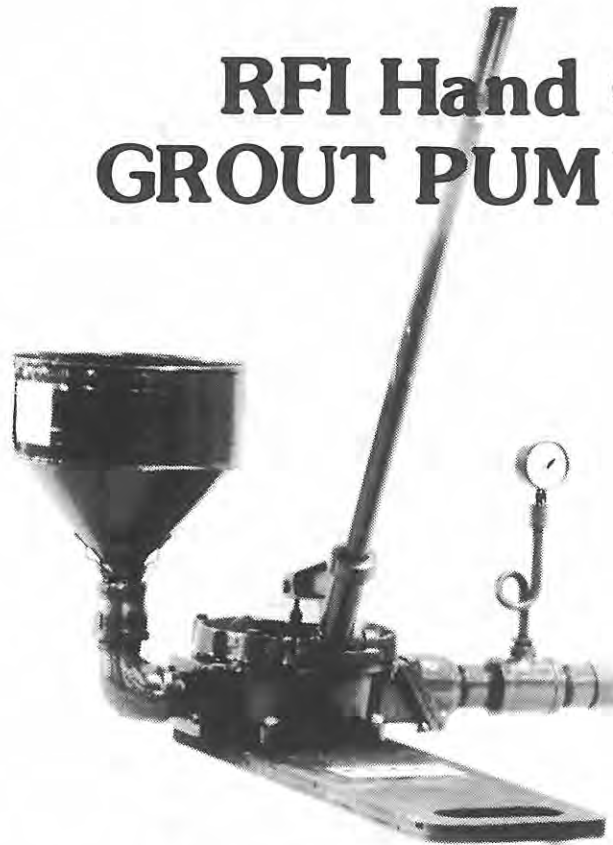
Tel: 631-752-8899

Fax: 631-454-9155

PA Office: 610-966-5689

Fax: 610-966-5683

RFI Hand Operated GROUT PUMP Model HP-7



The RFI Hand Operated Grout Pump is designed to pump high-viscosity slurries. Slurries may be impregnated with cement, rock-dust, sand, metallic particles, thixotropic agents, or any material that can be made to flow.

Specially designed for placing grout under machine and engine bed plates.

Ideal for grouting anchor bolts in rock, injecting waterproof materials, grouting under concrete floor slabs and walls and sills. This pump will serve in any area where grouting is employed.

The HP-7 HAND-OPERATED GROUT PUMP is indispensable for injecting grout where low pressures and low volumes are indicated.

The HP-7 GROUTER is rugged enough for any grouting operation, yet it is light enough to be carried from place to place on the job and compact enough to fit into the trunk of an automobile.

SPECIAL FEATURES

- Diaphragm and valves are of high quality polyurethane, designed to withstand abrasive grouts for over half a million cycles.
- Pump is self-priming
- The capability of the pump when pumping pure water is one half gallon per full stroke, maximum suction lift is 20 feet, maximum discharge head is 10 feet.
- Depending upon the viscosity of the grout mixture, the pump can lift grout several feet and discharge it at an approximate three foot head.

RFI CONSTRUCTION PRODUCTS

DIVISION OF CANGRO INDUSTRIES, INC.

495 Smith St., Farmingdale, N.Y. 11735-1186

Tel: 631-752-8899

Fax: 631-454-9155

PA Office: 610-966-5689

Fax: 610-966-5683

www.rficonstructionproducts.com • [email: cangrosales@ix.netcom.com](mailto:cangrosales@ix.netcom.com)

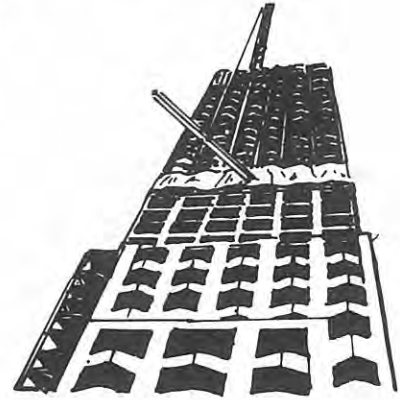
Some of the Jobs that your HP-7[®] will do for you



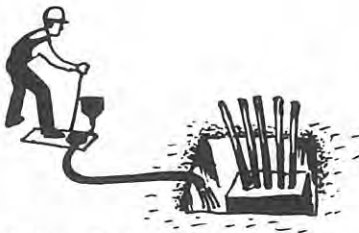
Plugging leaks in Mines and Tunnels. Backfilling voids Stabilizing Track Beds.



Injecting grout into Rock Fissures. Grouting behind Rock Formations.



Filling voids around door Bucks, Window Frames, and Sills. Marble installations. Voids in Hollow Blocks.



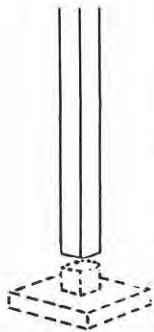
Filling Prestressed Tendon voids, is easy and positive with an HP-7.



Rock Bolts, Anchor Bolts, Wall Anchors, Hangars.



Filling voids in Bulkheads, and Coffers Dams, voids in Sheet Piling.



Grouting under Column Plates is a quick, easy and positive job with an HP-7. Easy and light, it can be carried from Column to Column without effort.



Grouting under machine beds is easy and positive. HP-7 will push grout into every square inch of void regardless of how small the space is under the bed.

RFI CONSTRUCTION PRODUCTS

DIVISION OF CANGRO INDUSTRIES, INC.

495 Smith St., Farmingdale, N.Y. 11735-1186

Tel: 631-752-8899

Fax: 631-454-9155

www.rficonstructionproducts.com • [email: cangrosales@ix.netcom.com](mailto:cangrosales@ix.netcom.com)

PA Office: 610-966-5689

Fax: 610-966-5683

CONTINUOUS MIXER WITH VARIABLE SPEED ROTOR/STATOR PUMP

Model S30/401



Model S30/401 is a Continuous Mixer, Pump and Sprayer for cementitious materials with a maximum aggregate size of 1/8" with materials being pre-mixed dry. The dry materials are fed into the hopper by hand, bulk container or silo and then precisely metered into the wet mixing chamber. Depending on the material, the wet mixing chamber can vary in length from 2 to 4 ft. The wet mix is conveyed into the rotor/stator pump hopper. The pump is equipped with a variable speed drive that controls material output. Automatic controls are available for one-man operation.

Uses:

Refractory Tundishes
Fireproofing
Foam Concrete

Tunnelling
Stucco/Plaster
Waterproofing

Mine Sealants
Floor Underlayments
Insulating Materials

Grouting
Building Restorations
Wall Fillers

RFI CONSTRUCTION PRODUCTS

DIVISION OF CANGRO INDUSTRIES, INC.

495 Smith St., Farmingdale, N.Y. 11735-1186

Tel: 631-752-8899

Fax: 631-454-9155

PA Office: 610-966-5689

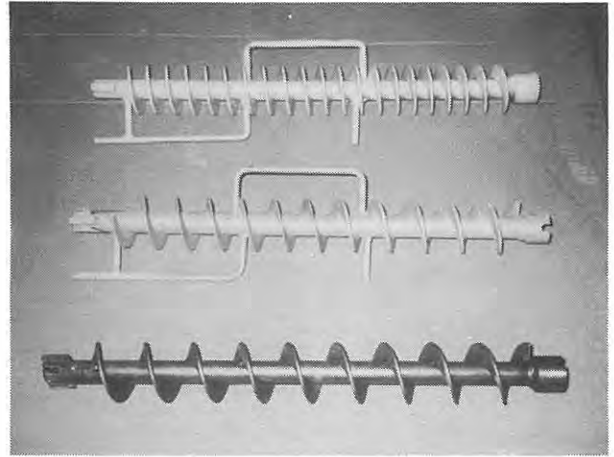
Fax: 610-966-5683

www.rficonstructionproducts.com • [email: cangrosales@ix.netcom.com](mailto:cangrosales@ix.netcom.com)

MODEL S30/401



Water Meter Control



Dry Material Feed Augers
for various output capacities

Specifications:

- Pump Output
Various size rotor/stator pumps are available with a range from 5 GPM to 70 GPM*
**The capacities quoted are approximate values measured at the pump outlet. They depend on the type and consistency of the material transported as well as the length and cross section of the hose and the pumping pressure.*
- Pumping distance: 300 ft. horizontally, 100 ft. vertically (depending on material, hose size and jobsite conditions).
- Pump outlets: 1", 1½" and 2" with cam-locks.
- Mixer: output capacities from 50 to 200 lbs. per minute.
- Power: Electric 230/460 volt, 3 phase, 60 cycle
7.5 H.P. Motor on mixer, 10 H.P. motor on pump
- Remote controls available for one-man operation
- Portable or stationary frames available
- Dimensions: 36" W x 52" x 120" L
- Weight: 1200 lbs.



RFI CONSTRUCTION PRODUCTS

DIVISION OF CANGRO INDUSTRIES, INC.

495 Smith St., Farmingdale, N.Y. 11735-1186

Tel: 631-752-8899

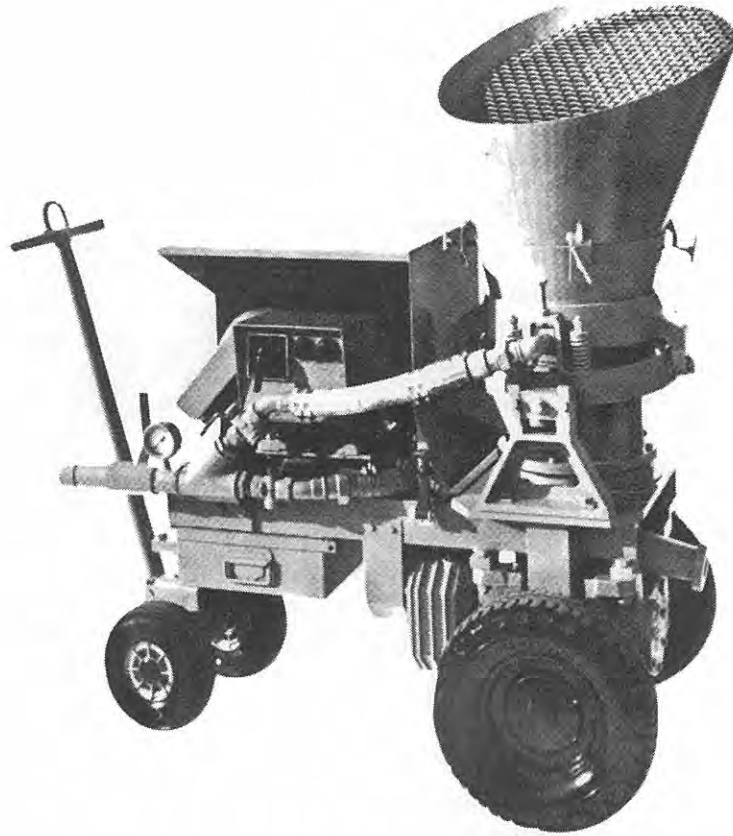
Fax: 631-454-9155

www.rficonstructionproducts.com • [email: cangrosales@ix.netcom.com](mailto:cangrosales@ix.netcom.com)

PA Office: 610-966-5689

Fax: 610-966-5683

ROTOR GUN



ROTARY SPRAYER FOR PNEUMATIC PLACING OF REFRACTORIES, CASTABLE & GUNITE

The model RG50 Rotor Gun has the capacity to pneumatically place material at rates up to 5 tons per hour. It will convey material horizontally for over 500 feet and vertically over 250 feet. The RG50 can handle aggregate sizes to $\frac{3}{4}$ inch. By using the appropriate Rotor Assembly, outlet spout and nozzle assembly, the RG50 can be operated with gunite hoses ranging from 1 inch to 2 inch inside diameter. The Feed Rotor Assembly may be powered by air or electric motor.

It has proven itself on jobs such as Guniting and placing of Refractory Gun Mixes and Castables, Fire Proofing, Bridge Repairs, Restorations and Fibrous Shotcrete.

RFI CONSTRUCTION PRODUCTS

DIVISION OF CANGRO INDUSTRIES, INC.

495 Smith St., Farmingdale, N.Y. 11735-1186

Tel: 631-752-8899

Fax: 631-454-9155

PA Office: 610-966-5689

Fax: 610-966-5683

www.rficonstructionproducts.com • [email: cangrosales@ix.netcom.com](mailto:cangrosales@ix.netcom.com)

SPECIFICATIONS FOR MODEL RG50

Rated Capacity	Mat'l Conveying Distance		Aggregate Size	Air Consumption w/100' 1-1/2 Mat'l Hose & 12 Rd. Rotor Elec.		Air Press	Weight	Hose Sizes	Machine Dimensions			Mtg
	Horiz.	Vert.							L	W	H	
1.5 tons/hr	500'	250'	3/4 max	100-280 cfm	450-600 cfm	30-85 psig	800 lbs.	1"-2"	47	28	52	See Chart

OPERATING PRINCIPLE

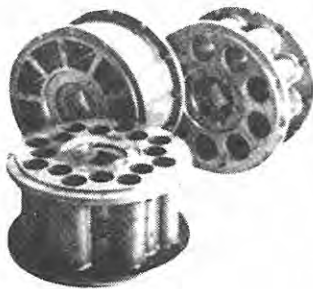
The unique feature of the Rotor Gun is the moving airlock (rotor) which continuously and automatically takes the material from atmospheric pressure in the feed hopper and injects it into the moving airstream of the material placement hose, where pressure will range from 20 psi up to approximately 85 psi, depending upon the application and volume desired.

Its continuous Rotor Feed does not require the constant attendance of a gun operator which is needed on the Double Tank Guns. Once the RG50 is started the gunning materials are fed through the machine automatically, thus allowing for a more even flow of material and air through the gunite hose to the nozzle. The ratio of water to material is more evenly maintained thus reducing dust and rebound.



The RG50 Rotor Gun can handle regular gunning mixes and refractory materials weighing from 40 lbs. per cu. ft. to high density castables weighing over 150 lbs. per cu. ft.

Automatic controls are available whereby the nozzleman can start and stop the Rotor Gun at will, regardless of his distance from the machine.



ADVANTAGES

- ☆ Easy to operate and maintain
- ☆ Can be operated by unskilled labor
- ☆ Even and continuous flow of materials
- ☆ Stationary models available
- ☆ Uniform wetting of gunning material
- ☆ Decreased labor costs

RFI CONSTRUCTION PRODUCTS

DIVISION OF CANGRO INDUSTRIES, INC.

495 Smith St., Farmingdale, N.Y. 11735-1186

Tel: 631-752-8899

Fax: 631-454-9155

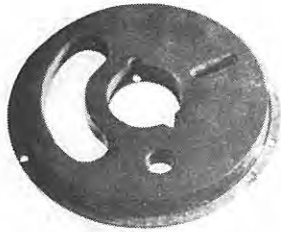
PA Office: 610-966-5689

Fax: 610-966-5683

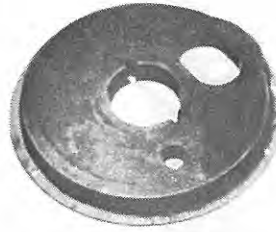
www.rficonstructionproducts.com • [email: cangrosales@ix.netcom.com](mailto:cangrosales@ix.netcom.com)

REPLACEMENT PARTS FOR ROTARY GUNS (RG50, PICCOLA & BLASTCRETE)

RUBBER WEAR PLATES



TOP

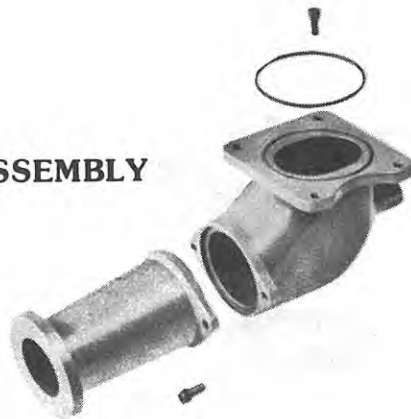


BOTTOM

STEEL FRICTION PLATES



OUTLET SPOUT ASSEMBLY



RFI CONSTRUCTION PRODUCTS

DIVISION OF CANGRO INDUSTRIES, INC.

495 Smith St., Farmingdale, N.Y. 11735-1186

Tel: 631-752-8899

Fax: 631-454-9155

www.rficonstructionproducts.com • [email: cangrosales@ix.netcom.com](mailto:cangrosales@ix.netcom.com)

PA Office: 610-966-5689

Fax: 610-966-5683

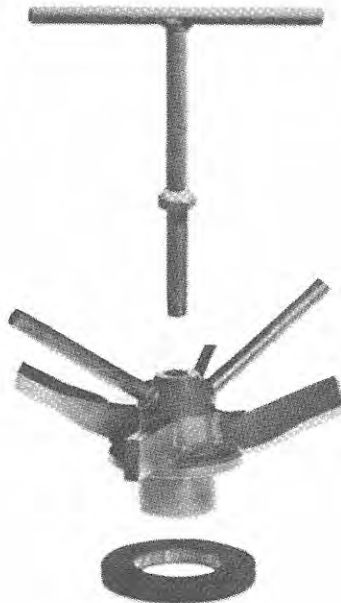
REPLACEMENT PARTS FOR ROTARY GUNS (RG50, PICCOLA & BLASTCRETE)

ROTOR ASSEMBLIES

NOTE: Half Rotor Assemblies Available



STIRRING SPIDER ASSEMBLY



RFI CONSTRUCTION PRODUCTS

DIVISION OF CANGRO INDUSTRIES, INC.

495 Smith St., Farmingdale, N.Y. 11735-1186

Tel: 631-752-8899

Fax: 631-454-9155

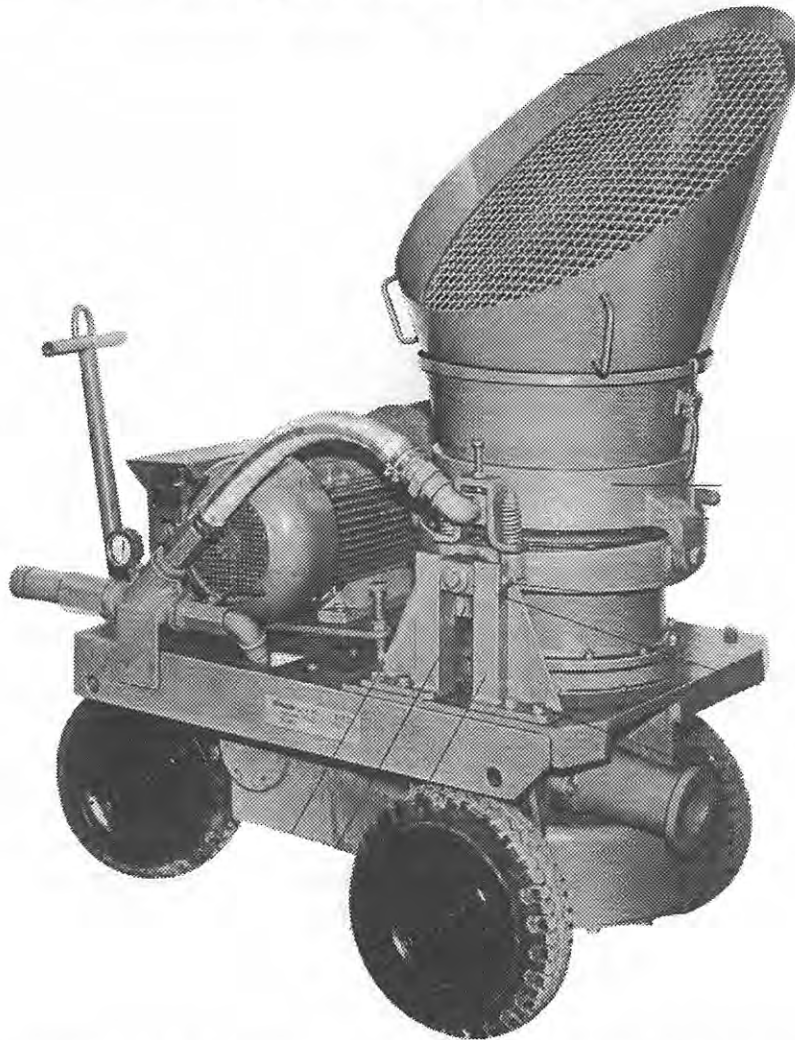
www.rficonstructionproducts.com • [email: cangrosales@ix.netcom.com](mailto:cangrosales@ix.netcom.com)

PA Office: 610-966-5689

Fax: 610-966-5683

ROTARY GUN for Pneumatic Placing of Dry Shotcrete & Gunitite

Model: RG1000



The model RG 1000 Rotor Gun has the capacity to pneumatically place material at rates up to 12 tons per hour. It will convey material horizontally for over 1000 feet and vertically over 300 feet. The RG 1000 can handle aggregate sizes to 1 inch. By using the appropriate Rotor Assembly, outlet spout and nozzle assembly, the RG 1000 can be operated with gunitite hoses ranging from 1 1/2 inch to 2 1/2 inch inside diameter. The Feed Rotor Assembly may be powered by air, electric motor, or diesel engine.

It has proven itself on jobs such as tunnels, shafts, mines, dams, reservoirs, fibrous shotcrete applications and refractory gun mixes and castables. Also handles plastic gun mixes.

RFI CONSTRUCTION PRODUCTS

DIVISION OF CANGRO INDUSTRIES, INC.

495 Smith St., Farmingdale, N.Y. 11735-1186

Tel: 631-752-8899

Fax: 631-454-9155

PA Office: 610-966-5689

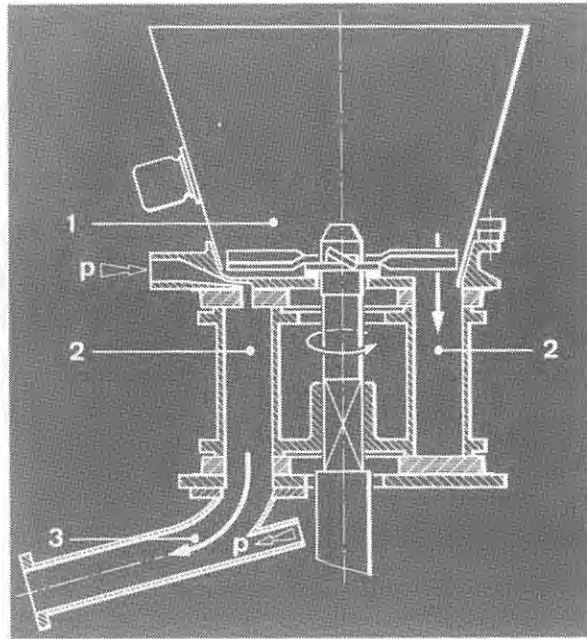
Fax: 610-966-5683

www.rficonstructionproducts.com • [email: cangrosales@ix.netcom.com](mailto:cangrosales@ix.netcom.com)

RG-1000

Technical data:

- Max Capacity effective: 10 cubic meters/h.
- aggregate max. size: 32mm
- Max. conveying distance: 900 meters horizontally; 150 meters vertically.
- Air consumption: 10-12 cubic meters/m at 6 atm. (for 20-30 meters line)
- Pneumatic drive air consumption: from 2.5 to 12 cubic meters/m. at 6 atm.
- Electric motor power: HP=12/8.5 at 1450/1000 r.p.m.
- Pneumatic motor power: HP=15 at 860 r.p.m.
- Disel motor power: HP=21 at 3000 r.p.m.



Operating process

The RG1000 operates on the basis of the well known and tried rotor working method. The dry masses, agitated and mixed in the loading hopper (1), fall by gravity in the rotor chamber (2) from where they are pushed by compressed air (p) through the discharging cone (3) and finally through the hoses to the pistol where water is added as necessary.

RG-1000

TYPE OF ROTOR	16 ROUND HOLES h = 192 mm	9 ROUND HOLES h = 192 mm	9 SECTORS h = 192 mm	9 SECTORS h = 302 mm
CHAMBERS CAPACITY IN dm ³	8,48	8,17	11,76	18,5
R.P.M. OF THE ROTOR	THEORETICAL CAPACITY OF THE ROTOR IN m ³ /h (PROVIDED THE CHAMBERS FILL AND EMPTY COMPLETELY)			
4,2	2,1	2	3	4,7
6,9	3,6	3,4	4,9	7,6
9	4,6	4,4	6,3	10,0
11,6	5,9	5,7	8,2	12,9
13,7	7	6,7	9,7	15,2

RFI CONSTRUCTION PRODUCTS

DIVISION OF CANGRO INDUSTRIES, INC.

495 Smith St., Farmingdale, N.Y. 11735-1186

Tel: 631-752-8899

Fax: 631-454-9155

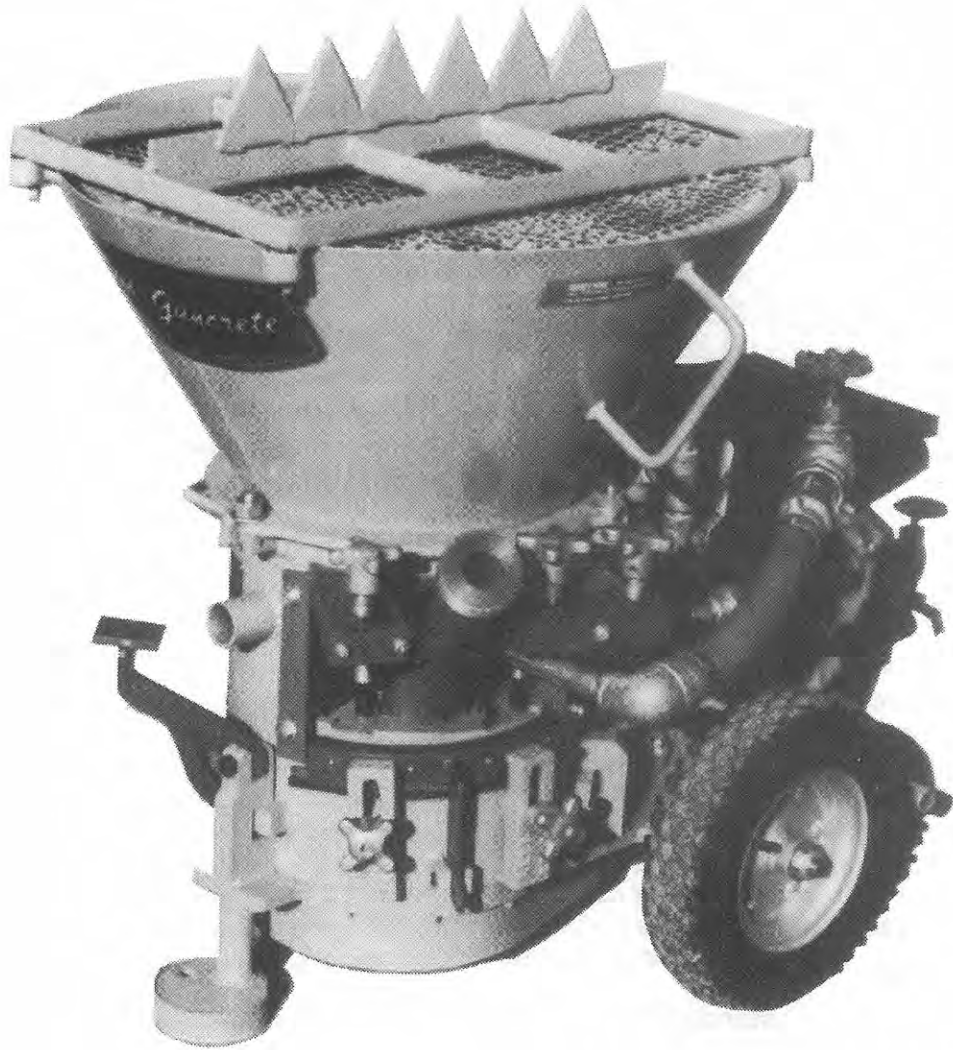
www.rficonstructionproducts.com • [email: cangrosales@ix.netcom.com](mailto:cangrosales@ix.netcom.com)

PA Office: 610-966-5689

Fax: 610-966-5683

Reed Guncrete™

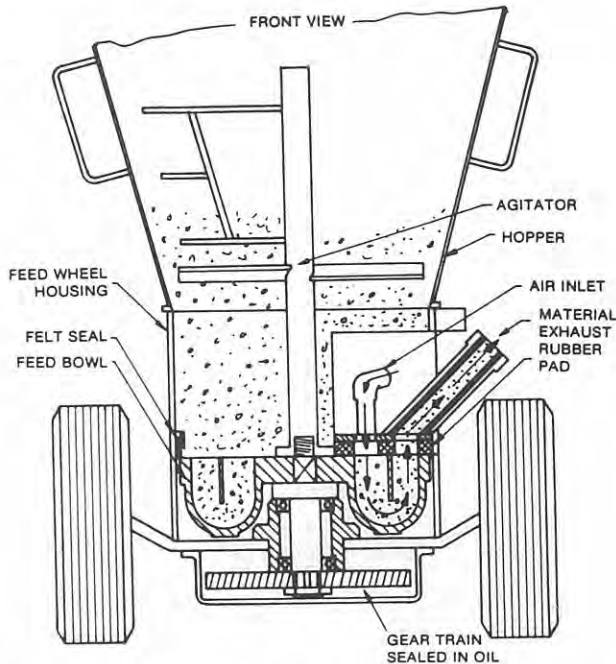
SPECIFICATIONS
MODELS: SOVA
SOHE



**GUNITE • SHOTCRETE • REFRACTORY
PNEUMATICALLY-APPLIED CONCRETE GUN**

REED SOVA, SOVE GUNS

Reed Guncrete machines are available in pneumatic or electric drive for smooth, safe and economical concrete placement. All Reed guns work on the principal of dry conveying with water added in the spraying nozzle at the end of the hose.



CAPACITY OF THE REED SOVA & SOVE:

Range of Aggregate Size: Powder to 3/8" rock
 Horizontal Conveying Distance: Up to 1000 feet*
 Vertical Conveying Distance: Up to 300 feet*
 Range of Output: 1-9 cubic yards/hour
 Range of Hose Sizes: 3/4" to 1 1/2"

*Performance and output will vary due to mix design, line size and job site conditions.

PNEUMATIC DRIVE† (SOVA)

Motor: 8 AM rotary vane motor

Capacity: 5 Horsepower @ 2300 RPM, 100 PSI

ELECTRIC DRIVE† (SOVE)

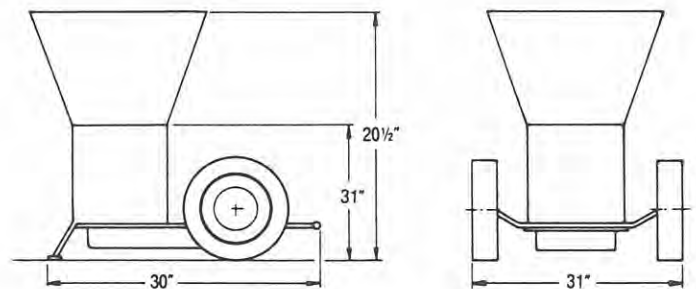
Motor: 3 phase

Power: 2 horsepower 220/230 V or 460 V

†Air Consumption: 125 to 365 cfm (relative to hose size and drive).

Dry, damp or wet material is placed into the hopper where it feeds into the pockets of a precision rotor (feed wheel). The feed wheel is driven by spur gears that are sealed in oil. When the feed wheel rotates, the loaded pockets pass under a sealing pad which forces down on the top surface of the feed wheel. The pad and its back-up plate are fitted with inlet and outlet ports which are in alignment with the "U" shaped pockets of the feed wheel. Compressed air is fed into the inlet port which passes through the pockets of the feed wheel to the outlet neck carrying material into the material hose. Due to the constant even rotation, material enters the hose in an extremely steady flow.

A stud guide locking device is standard for adjusting the wear pad.



RFI CONSTRUCTION PRODUCTS

DIVISION OF CANGRO INDUSTRIES, INC.

495 Smith St., Farmingdale, N.Y. 11735-1186

Tel: 631-752-8899

Fax: 631-454-9155

www.rficonstructionproducts.com • [email: cangrosales@ix.netcom.com](mailto:cangrosales@ix.netcom.com)

PA Office: 610-966-5689

Fax: 610-966-5683

Reed Guncrete™

SPECIFICATIONS

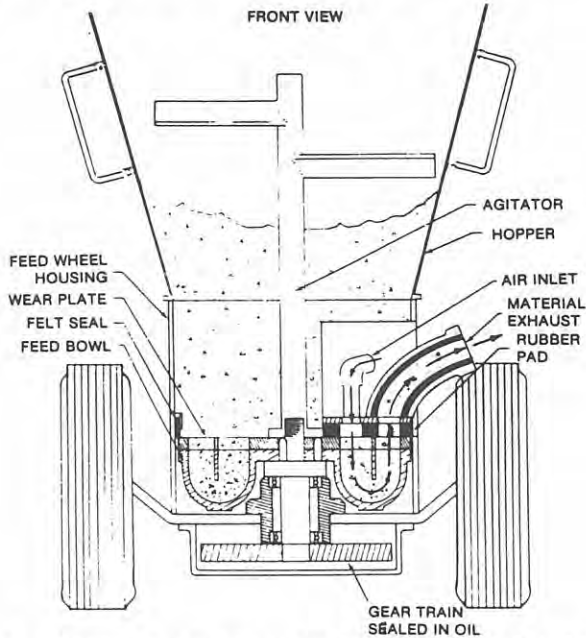
**MODELS: LOVA 8-4
LOVA 16-4
LOHE**



**GUNITE • SHOTCRETE • REFRACTORY
PNEUMATICALLY-APPLIED CONCRETE GUN**

REED LOVA 8-4, LOVA 16-4, LOHE

Reed Guncrete machines are available in pneumatic or electric drive for smooth, safe and economical concrete placement. All Reed guns work on the principal of dry conveying with water added in the spraying nozzle at the end of the hose.



Dry, damp or wet material is placed into the hopper where it feeds into the pockets of a precision rotor (feed wheel). The feed wheel is driven by spur gears that are sealed in oil. When the feed wheel rotates, the loaded pockets pass under a sealing pad which forces down on the top surface of the feed wheel. The pad and its back-up plate are fitted with inlet and outlet ports which are in alignment with the "U" shaped pockets of the feed wheel. Compressed air is fed into the inlet port which passes through the pockets of the feed wheel to the outlet neck carrying material into the material hose. Due to the constant even rotation, material enters the hose in an extremely steady flow.

A cam style pad locking device (standard on series 3 guns) and a stud guide locking device (on series 4 guns) are both available for adjusting the wear pad.

CAPACITY OF THE REED GUN:

Range of Aggregate Size: Powder to 3/4" rock
 Horizontal Conveying Distance: Up to 1000 feet*
 Vertical Conveying Distance: Up to 300 feet*
 Range of Output: 1-12 cubic yards/hour*
 Range of Hose Sizes: 3/4" I.D. to 2 1/2" I.D.

*Performance and output will vary due to mix design, line size and job site conditions.

PNEUMATIC DRIVE† (LOVA 8-4, LOVA 16-4)

Motor: 8 AM rotary vane air motor (LOVA 8-4)
 16 AM rotary vane air motor (LOVA 16-4)

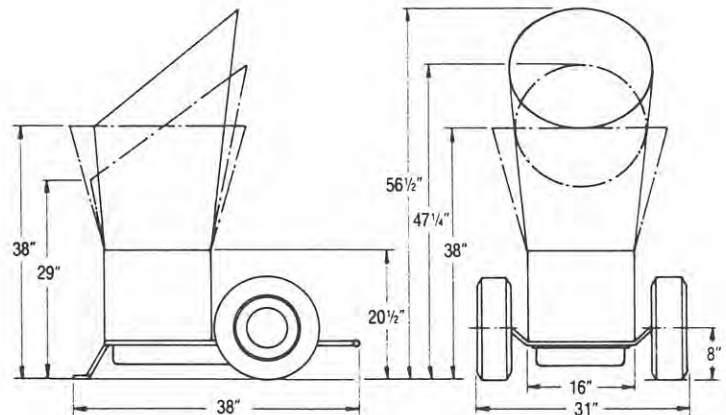
Capacity: 8 AM - 5 Horsepower @ 2300 RPM, 100 PSI
 16 AM - 9 Horsepower @ 1850 RPM, 100 PSI

ELECTRIC DRIVE† (LOHE)

Motor: 3 phase, with on-off controls, infinitely variable speed control and circuit breaker as standard equipment. Tachometer option available.

Power: 3 or 5 horsepower 220/230 V or 440/460V 3 phase at 60 cycles standard. Other voltages and 50 cycles available to meet customer requirements.

†Air Consumption: 125 to 750 cfm (relative to hose size and drive).



RFI CONSTRUCTION PRODUCTS

DIVISION OF CANGRO INDUSTRIES, INC.

495 Smith St., Farmingdale, N.Y. 11735-1186

Tel: 631-752-8899

Fax: 631-454-9155

www.rficonstructionproducts.com • [email: cangrosales@ix.netcom.com](mailto:cangrosales@ix.netcom.com)

PA Office: 610-966-5689

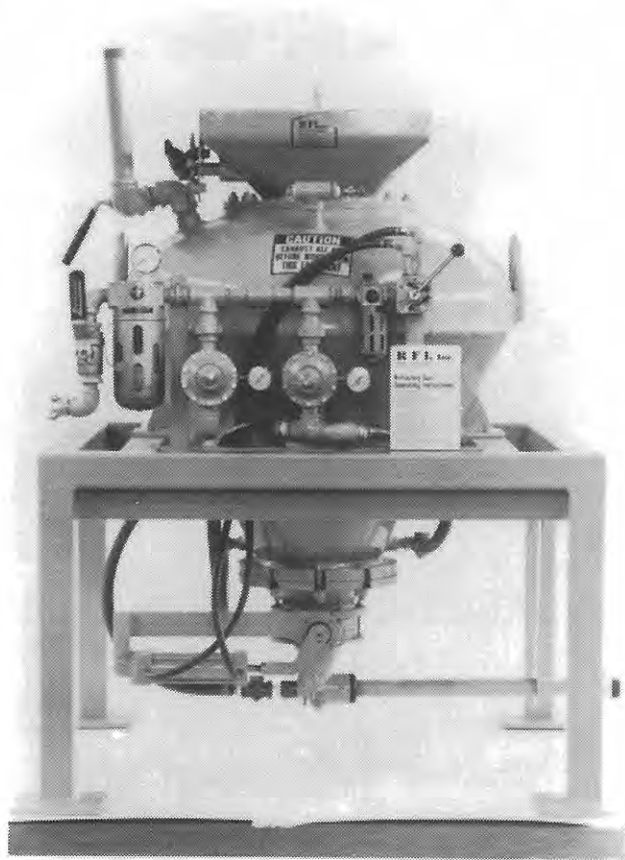
Fax: 610-966-5683

METALURGY INJECTOR & REFRACTORY BATCH GUN

Capacity 1000 Lbs.

Features:

- Simple 2 valve operation
- Handles all types of powdered materials
- Internal air sweep controls material flow and eliminates bridging and plugging
- Universal Flanged Tank Bottom accepts Butterfly Feed or Feedwheel Bottom Assemblies
- 10" dia. Cone Valve Closure for fast filling and positive sealing.



The Model MI-1000 will handle any type of powdered materials because of the flexibility to change from a Butterfly Feed System to a Positive Feedwheel System. Just remove bolts and install the Feed Bottom for your specific material. The RFI Injector assures smooth material flow with simple operation.

RFI CONSTRUCTION PRODUCTS

DIVISION OF CANGRO INDUSTRIES, INC.

495 Smith St., Farmingdale, N.Y. 11735-1186

Tel: 631-752-8899

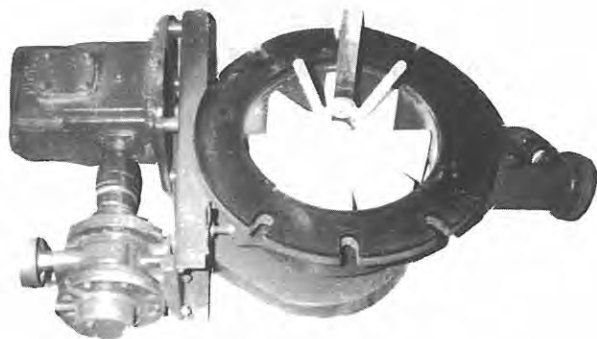
Fax: 631-454-9155

PA Office: 610-966-5689

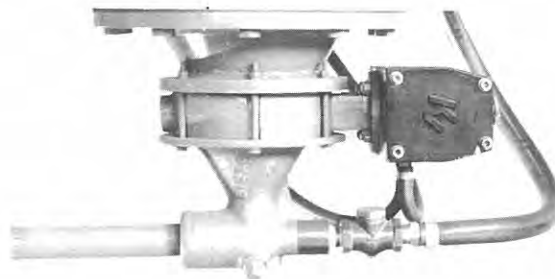
Fax: 610-966-5683

www.rficonstructionproducts.com • [email: cangrosales@ix.netcom.com](mailto:cangrosales@ix.netcom.com)

OPTIONAL FEED BOTTOMS

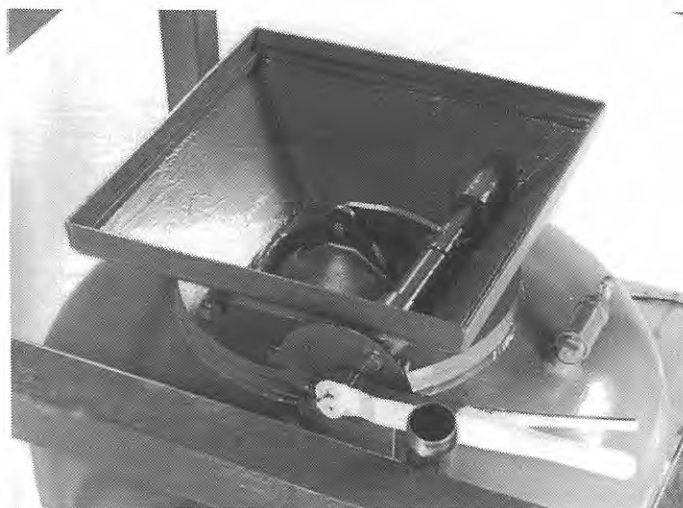


Feedwheel Bottom



Butterfly Feed Assy.

Flanged Tank Bottom accepts the above Feed Systems, assuring positive material flow.



Cone Valve Closure

Specifications:

Length 48"
Width 48"
Height 54"

Weight 800 lbs
Material output: up to 300 lbs. per min.

Options:

- Remote Control for Lance Operator
- Portable units and material bins available
- Digital Load-Cell displays material output per minute

RFI CONSTRUCTION PRODUCTS

DIVISION OF CANGRO INDUSTRIES, INC.

495 Smith St., Farmingdale, N.Y. 11735-1186

Tel: 631-752-8899

Fax: 631-454-9155

www.rficonstructionproducts.com • [email: cangrosales@ix.netcom.com](mailto:cangrosales@ix.netcom.com)

PA Office: 610-966-5689

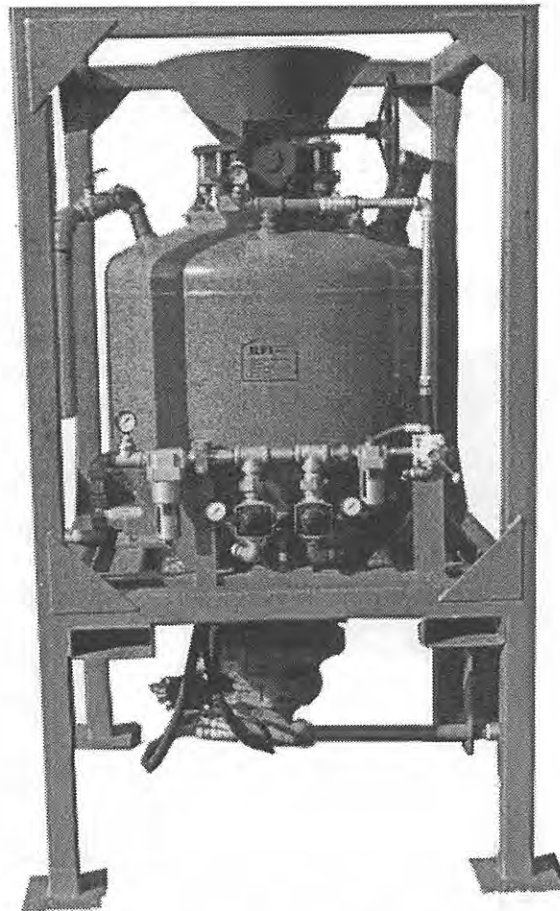
Fax: 610-966-5683

REFRACTORY BATCH GUN with INTERCHANGEABLE FEED BOTTOMS

Model BG 2000

New Features:

- Butterfly Valve Upper Section for easy filling and positive sealing.
- Internal Air curtain controls material flow and reduces bridging and plugging.
- Feed Bottom Flange accepts butterfly valve feed system or feedwheel assembly.
- Simple 2 valve operation.
- Remote control for nozzleman operation (option).
- Capacity: 2000 lbs. (13 cu. ft.).



The Model BG 2000 is used on refractory repairs to hot and cold furnaces and where a given amount of material will do the job. The material can be held in the gun and shot when needed by the operator.

RFI CONSTRUCTION PRODUCTS

DIVISION OF CANGRO INDUSTRIES, INC.

495 Smith St., Farmingdale, N.Y. 11735-1186

Tel: 631-752-8899

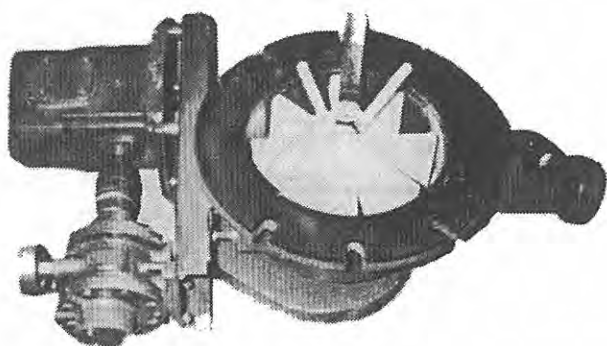
Fax: 631-454-9155

PA Office: 610-966-5689

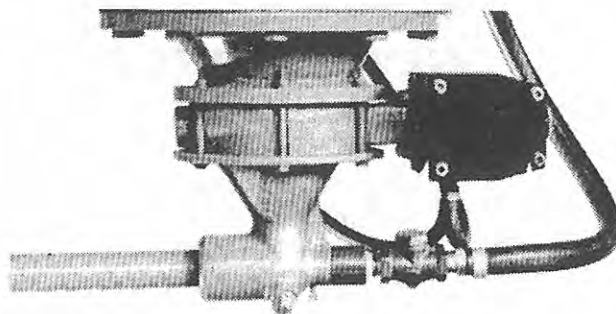
Fax: 610-966-5683

www.rficonstructionproducts.com • [email: cangrosales@ix.netcom.com](mailto:cangrosales@ix.netcom.com)

OPTIONAL FEED BOTTOMS



Feedwheel Bottom



Butterfly Feed Assy.

It's new adapter feed bottom flange allows gun to handle any refractory material simply by changing from a 5" butterfly feed assembly to a feedwheel system. Thus, the customer has two guns in one.

Butterfly Valve Section



The Butterfly Valve has a full 10" opening for fast and easy loading. Manual or air operated are available.

Specifications:

Length 53"
Width 53"
Height 86"

Weight 1400 lbs.
Material output up to 400 lbs. per min.
Air Connection 1" air hose

Options:

Remote Control
1000, 2000, 3000, 4000 tank capacities available.
Loading platforms
Automatic Load-Cell Weighing System

Our batch guns only need a 1" main air hose to produce a material flow output of up to 400 lbs. per minute with 1½" material hose. Most refractories are gunned with an operating air pressure of between 20 to 45 PSI depending on material density and hose length.

RFI CONSTRUCTION PRODUCTS

DIVISION OF CANGRO INDUSTRIES, INC.

495 Smith St., Farmingdale, N.Y. 11735-1186

Tel: 631-752-8899

Fax: 631-454-9155

PA Office: 610-966-5689

Fax: 610-966-5683

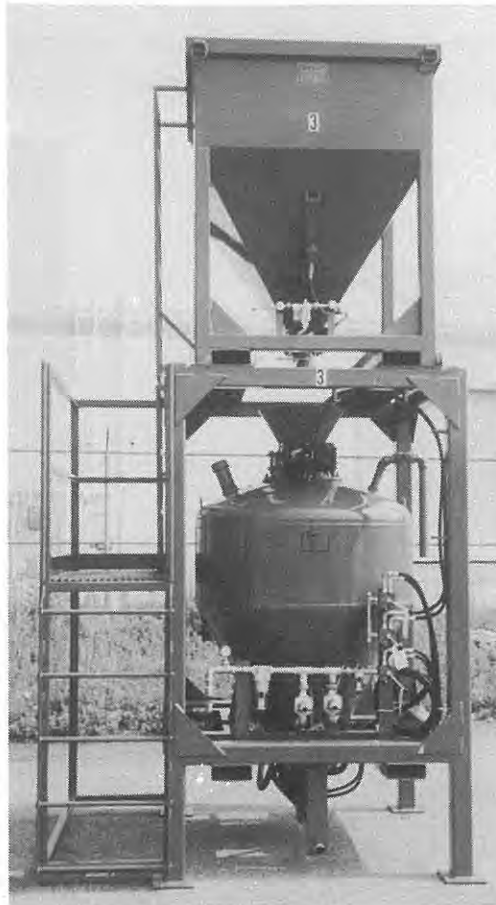
www.rficonstructionproducts.com • [email: cangrosales@ix.netcom.com](mailto:cangrosales@ix.netcom.com)

REFRACTORY BATCH GUN WITH 4000 Lb. MATERIAL HOPPER

BG4000

New Features:

- 4000 Lb. capacity
- 10" diameter air actuated butterfly valve for fast filling and positive sealing.
- Internal air curtain controls material flow and reduces bridging and plugging.
- Feed bottom flange accepts butterfly valve feed system or feedwheel assembly.
- Simple 2 valve operation
- Remote control for nozzleman operation (option)
- Operates from a 1" airline
- Material output ranges from 250 to 400 lbs. per min.



The RFI Batch Guns are used for refractory repairs to hot and cold furnaces where a given amount of material will do the job. Material can be held in the gun and gunned when needed by operator. All RFI Batch Guns can also be used as Metallurgy Injectors.

RFI CONSTRUCTION PRODUCTS

DIVISION OF CANGRO INDUSTRIES, INC.

495 Smith St., Farmingdale, N.Y. 11735-1186

Tel: 631-752-8899

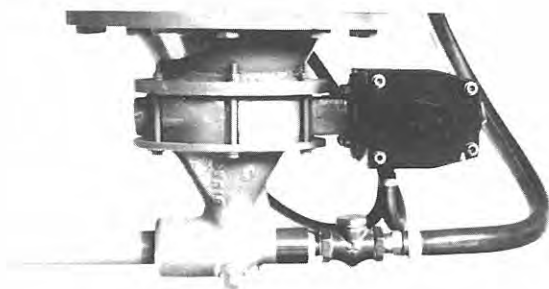
Fax: 631-454-9155

PA Office: 610-966-5689

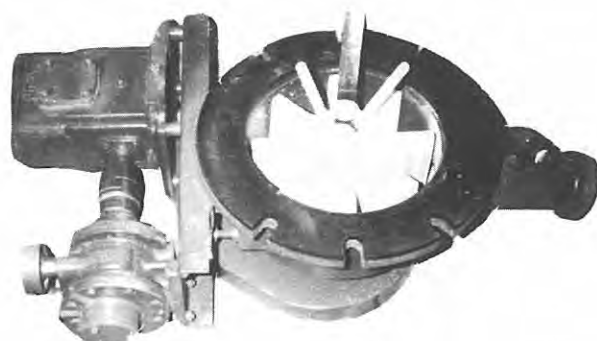
Fax: 610-966-5683

www.rficonstructionproducts.com • [email: cangrosales@ix.netcom.com](mailto:cangrosales@ix.netcom.com)

OPTIONAL FEED BOTTOMS

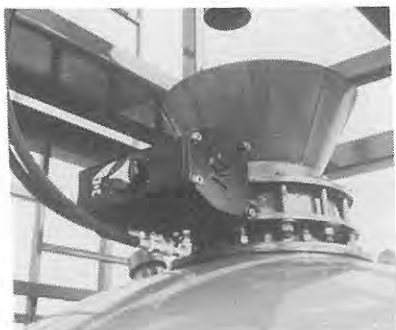


5" Butterfly Valve Assembly

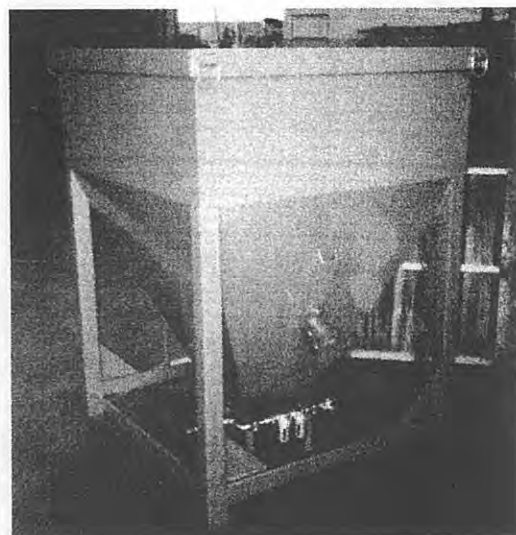


Feedwheel Assembly

Universal feed bottom flange allows gun to handle any refractory material simply by changing from a 5" butterfly feed assembly to a feedwheel system. Thus the customer has two guns in one.



10" Air Actuated
Butterfly Valve



4000 lb. hopper with internal bag cutter, forklift rolls, 10" dia. outlet, vibrator, ladder and lifting rings.

Specifications:

Length 86" Width 64"
Height 105" Weight 3000 lbs.

Options:

- Remote Control for nozzleman operation
- 1000, 2000, 3000, 4000 tank capacities available
- Loading platforms
- Digital Load-Cell Systems

Most refractories are gunned with an operating air pressure of between 20 to 45 PSI depending on material density, hose length and diameter.

RFI CONSTRUCTION PRODUCTS

DIVISION OF CANGRO INDUSTRIES, INC.

495 Smith St., Farmingdale, N.Y. 11735-1186

Tel: 631-752-8899

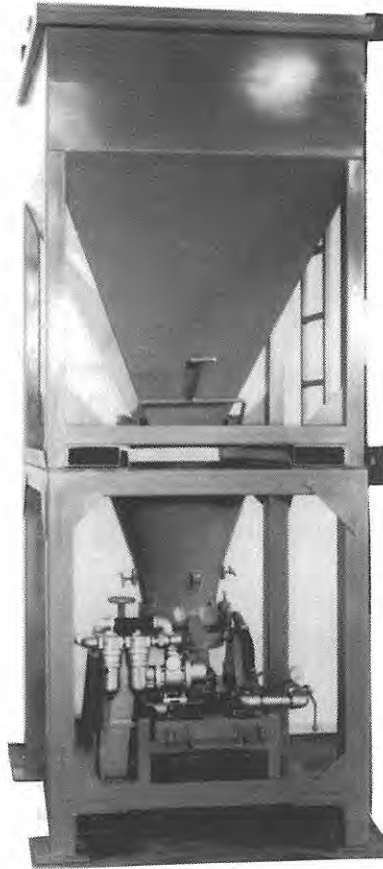
Fax: 631-454-9155

www.rficonstructionproducts.com • [email: cangrosales@ix.netcom.com](mailto:cangrosales@ix.netcom.com)

PA Office: 610-966-5689

Fax: 610-966-5683

METALLURGY INJECTOR & REFRACTORY SPRAY GUN



The model MI-500 metallurgy injector with its rotary feed rotor is capable of injecting fine carbon to large burnt lime granules. It has the capacity to inject materials up to 200 lbs. per minute. The model MI-1000 has the capacity to inject materials up to 400 lbs. per minute. The rotor can be powered by air or electric motor. For precise material injection, the hopper assembly can be equipped with a digital readout load cell arrangement. Various hopper capacities are available.

RFI CONSTRUCTION PRODUCTS

DIVISION OF CANGRO INDUSTRIES, INC.

495 Smith St., Farmingdale, N.Y. 11735-1186

Tel: 631-752-8899

Fax: 631-454-9155

PA Office: 610-966-5689

Fax: 610-966-5683

www.rficonstructionproducts.com • [email: cangrosales@ix.netcom.com](mailto:cangrosales@ix.netcom.com)

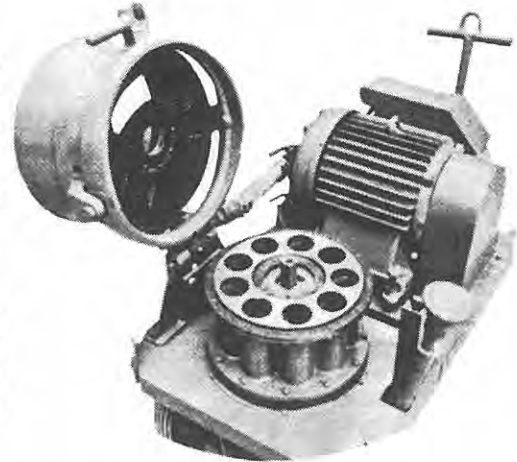
SPECIFICATIONS

Model	Rated Capacity	Mat'l Conveying Distance		Aggregate Size	Air Consumption w/100'-1-1/2 Mat'l Hose & 12 Rd. Rotor		Air Press.	Weight	Hose Sizes	Machine Dimensions		
		Horiz.	Vert.		Elec.	Air				L	W	H
MI-500	1-5 tons/hr	500'	250'	3/4 max	100-280 cfm	275-450 cfm	30-85 psig	800 lbs.	1"-2"	47	28	52
MI-1000	4-12 tons/hr	500'	250'	1" max	185-365 cfm	600-900 cfm	55-85 psig	2000 lbs.	1 1/2" 2 1/2"	56	30	67

OPERATING PRINCIPLE

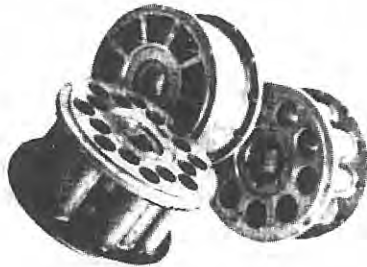
The unique feature of the Rotary Injector is the moving airlock (rotor) which continuously and automatically takes the material from atmospheric pressure in the feed hopper and injects it into the moving airstream of the material placement hose, where pressure will range from 20 psi up to approximately 85 psi, depending upon the application and volume desired.

Its continuous Rotor Feed does not require the constant attendance of an operator. Once the MI-500 is started the metallurgy materials are fed through the machine automatically, thus allowing for a more even flow of material through the material hose to the furnace or ladle.



Automatic controls are available whereby the operator can start and stop the Feed Rotor at will, regardless of his distance from the machine.

As a Refractory Spray Gun it can handle regular gunning mixes and refractory materials weighing from 40 lbs. per cu. ft. to high density castables weighing over 190 lbs. per cu. ft.



ADVANTAGES

- ☆ Easy to operate and maintain
- ☆ Can be operated by unskilled labor
- ☆ Even and continuous flow of materials
- ☆ Stationary models available
- ☆ Uniform wetting of gunning material
- ☆ Decreased labor costs

RFI CONSTRUCTION PRODUCTS

DIVISION OF CANGRO INDUSTRIES, INC.

495 Smith St., Farmingdale, N.Y. 11735-1186

Tel: 631-752-8899

Fax: 631-454-9155

www.rficonstructionproducts.com • [email: cangrosales@ix.netcom.com](mailto:cangrosales@ix.netcom.com)

PA Office: 610-966-5689

Fax: 610-966-5683

SPREADING HOPPER FOR FURNACE BOTTOMS



Model SH-4000 equipped with air motor power, operator remote control, 4 ft. swivel chute, bulk bag cutter with side chute, remote station controls rotation of discharge chute and material flow. Mounted in its own stand with work platform and ladder. Capacity 4000 lbs.

Options include:

- A. Insulating blanket on hopper and chute
- B. Other hopper capacities available

RFI CONSTRUCTION PRODUCTS

DIVISION OF CANGRO INDUSTRIES, INC.

495 Smith St., Farmingdale, N.Y. 11735-1186

Tel: 631-752-8899

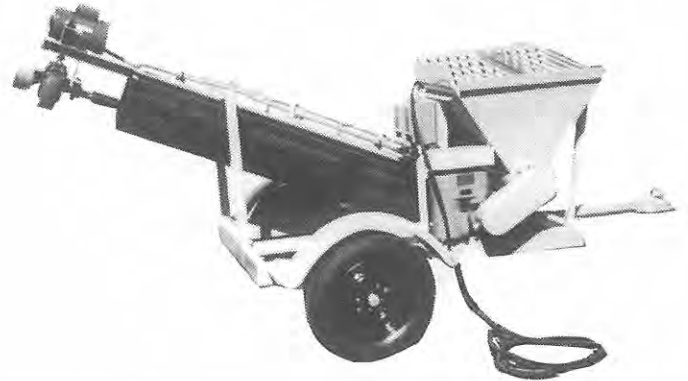
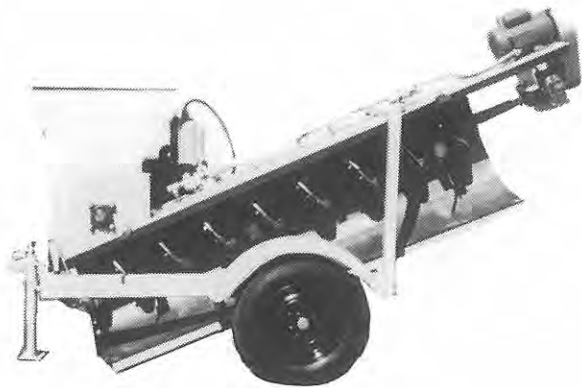
Fax: 631-454-9155

PA Office: 610-966-5689

Fax: 610-966-5683

www.rficonstructionproducts.com • [email: cangrosales@ix.netcom.com](mailto:cangrosales@ix.netcom.com)

PREDAMPENER OR MIXER FOR PACKAGED GUNITE, SHOTCRETE AND REFRACTORY MATERIALS



MODEL PD2000

Handles all refractory guning mixes and castables that have to be pre-dampened or made into a slurry. Moisture content is precisely controlled by engineered spray jets. Uniform material flow in mixing auger is attained by variable speed reducer on feed auger. Quick-release of rubber troughs allows instant access to augers for easy cleaning.

Can also be used as a material conveyor of refractories to open top rotary guns and as a wet mixer of castables.

FEATURES

Labor Saving (one man crew)
Precise moisture control
Simple to operate
Capacity—20,000 lbs per hour

Eliminates dust
Reduces rebound
Consistent mix
Trailer or skid mounted

POWER OPTIONS

Air: Uses 300 CFM at 90 PSI
Electric: 230/460 Volt 60 Hz. 3 phase

SPECIFICATIONS

Length: 14 ft.
Width: 5 ft.
Height: 5 ft.

Weight: 1100 lbs.
Mix Auger: 9" dia. x 10 ft.
Feed Hopper Capacity: 5 cu. ft.

RFI CONSTRUCTION PRODUCTS

DIVISION OF CANGRO INDUSTRIES, INC.

495 Smith St., Farmingdale, N.Y. 11735-1186

Tel: 631-752-8899

Fax: 631-454-9155

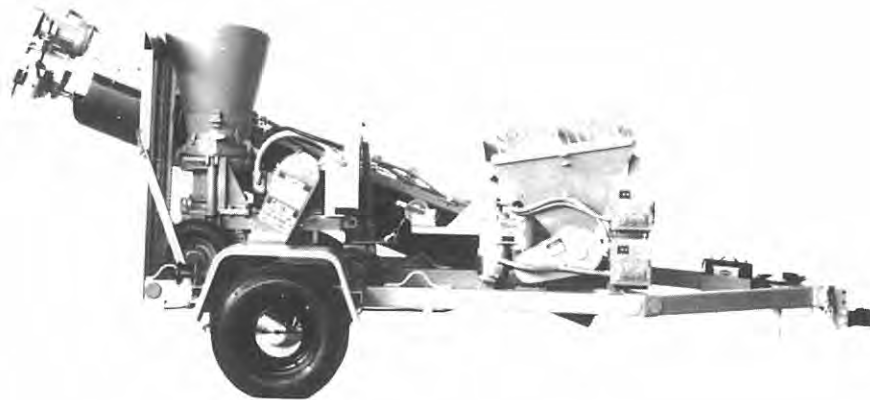
PA Office: 610-966-5689

Fax: 610-966-5683

www.rficonstructionproducts.com • [email: cangrosales@ix.netcom.com](mailto:cangrosales@ix.netcom.com)

PREDAMPENER OR MIXER FOR PACKAGED GUNITE, SHOTCRETE AND REFACTORY MATERIALS

MODEL PD 2001



Features:

- One-man operation
- Precise water control and mixing
- Capacity: 10 ton per hour
- Reduces Dust and Rebound
- Easy to clean — Rubber Trough
- Accepts all Rotary Guns

Specifications:

Length 14' Weight 1200 lbs.
Width 5' Mix Auger 9" dia. by 10' long
Height 6' Feed Hopper 5 cu. ft. cap.

Options:

- Air — Requires 70 CFM @ 90 PSI
- 8 ft. long Swivel Chute for placing Castable
- Electric — 230/460 volt, 3 phase, 60 cycle

RFI CONSTRUCTION PRODUCTS

DIVISION OF CANGRO INDUSTRIES, INC.

495 Smith St., Farmingdale, N.Y. 11735-1186

Tel: 631-752-8899

Fax: 631-454-9155

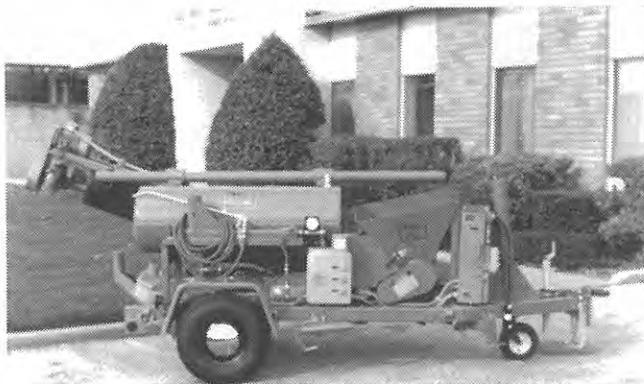
PA Office: 610-966-5689

Fax: 610-966-5683

www.rficonstructionproducts.com • [email: cangrosales@ix.netcom.com](mailto:cangrosales@ix.netcom.com)

PREDAMPENER OR MIXER FOR PACKAGED GUNITE, SHOTCRETE AND REFRACTORY MATERIALS

MODEL PD 2002



Ready for over-the-road Towing



8 ft. long Swivel Placement Chute

Features:

- Precise water control with built-in Flow Meter
- 85 gal. Water Tank and Additive Dispenser
- Water Booster Pump with Water Gun for Pressure Cleaning
- Material. feed controlled by built-in Tachometer
- 1 Ton Jib Crane for material handling
- Capacity: 10 tons per hour
- Air or Electric Motor Power
- Can be used as a predampener or feeder of wet mix to Concrete Pump

RFI CONSTRUCTION PRODUCTS

DIVISION OF CANGRO INDUSTRIES, INC.

495 Smith St., Farmingdale, N.Y. 11735-1186

Tel: 631-752-8899

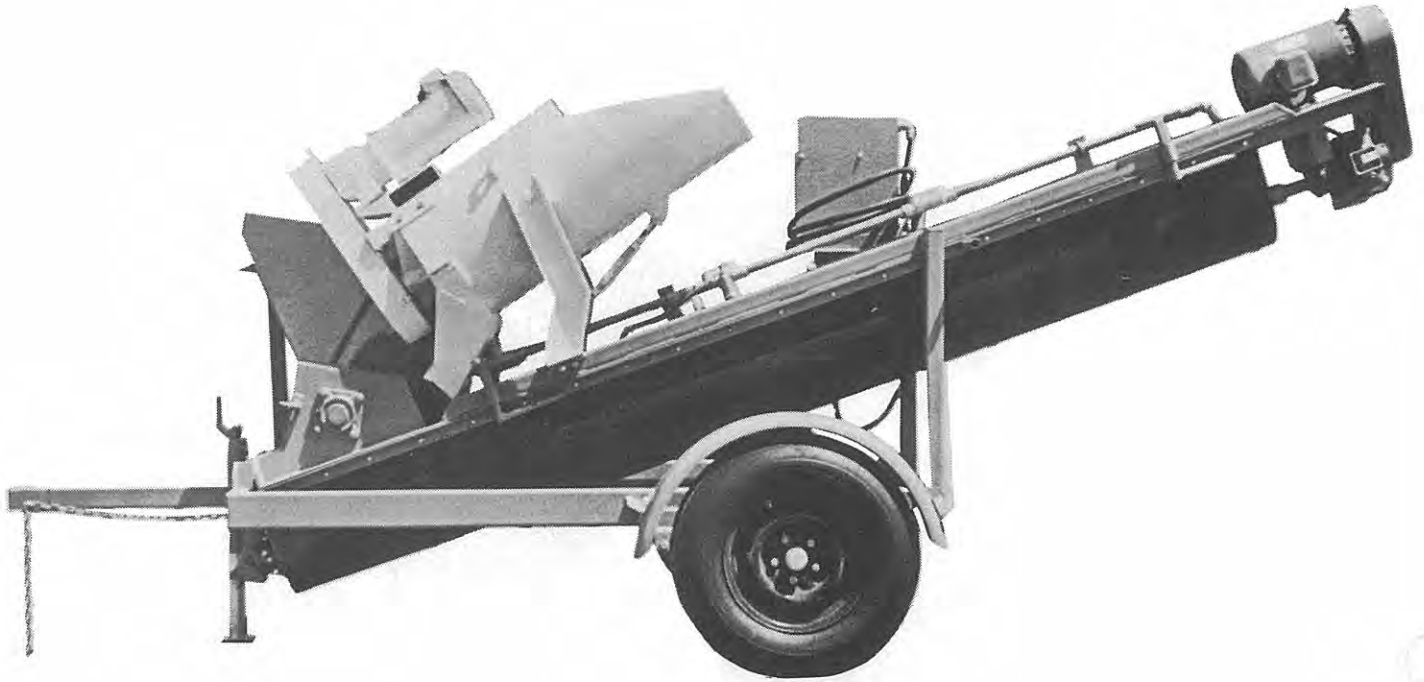
Fax: 631-454-9155

PA Office: 610-966-5689

Fax: 610-966-5683

www.rficonstructionproducts.com • [email: cangrosales@ix.netcom.com](mailto:cangrosales@ix.netcom.com)

WIRE FIBER FEEDER



FEATURES

- Variable feed from 1.5 lbs up to 30 lbs of fiber per minute
- Simple, accurate and compact
- Mounts on any batching equipment continuous or batch type
- Only 2 moving parts
- Handles fibers from 1/2" to 1 1/2" long
- Available with air, electric or hydraulic power

The model FF30 accepts bagged or bulk fibers and precisely meters them at a constant non-clogging rate. Flow is regulated by variable speed motor and pitch of canister. Used in the refractory, fibrous concrete, precasting and shotcrete industries.

RFI CONSTRUCTION PRODUCTS

DIVISION OF CANGRO INDUSTRIES, INC.

495 Smith St., Farmingdale, N.Y. 11735-1186

Tel: 631-752-8899

Fax: 631-454-9155

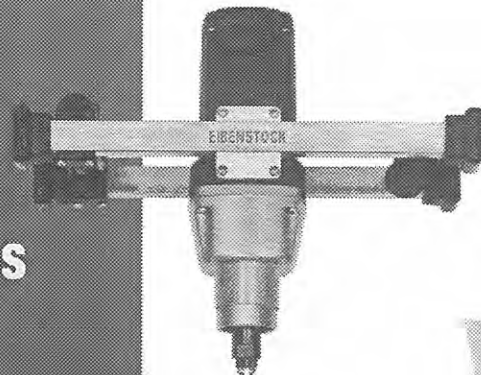
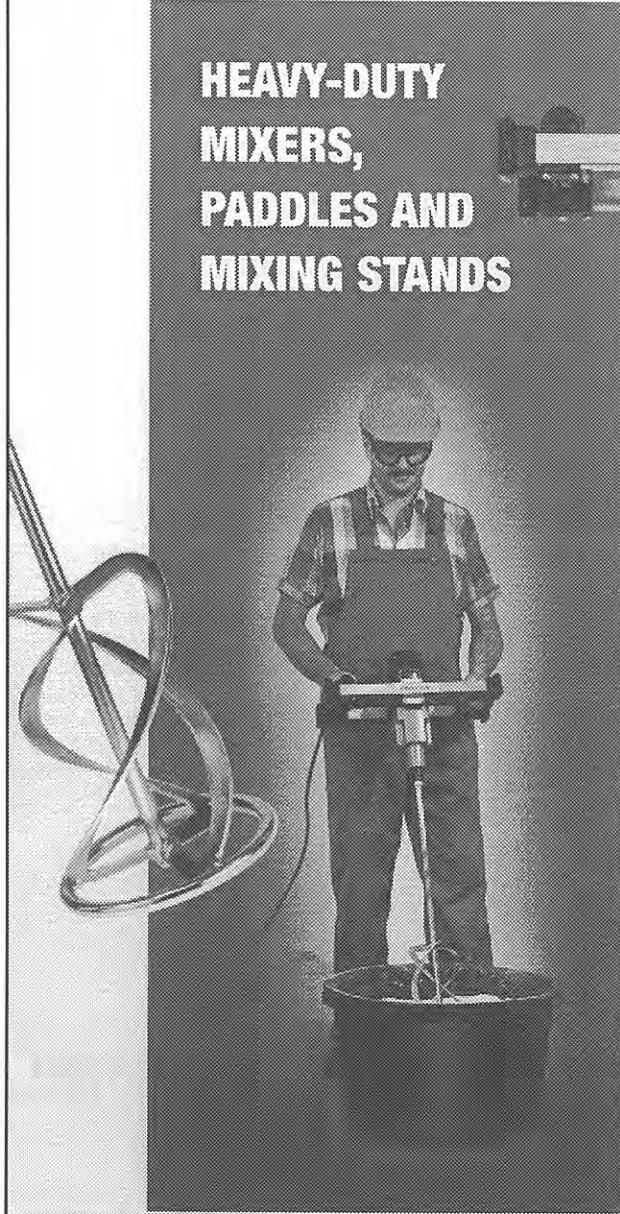
www.rficonstructionproducts.com • [email: cangrosales@ix.netcom.com](mailto:cangrosales@ix.netcom.com)

PA Office: 610-966-5689

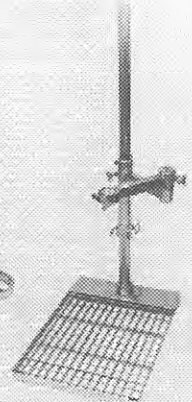
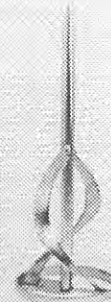
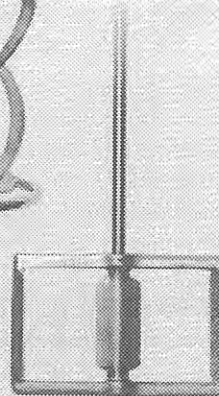
Fax: 610-966-5683

ELECTRIC and PNEUMATIC PORTABLE HAND-HELD MIXERS

**HEAVY-DUTY
MIXERS,
PADDLES AND
MIXING STANDS**



**For mixing Mortar, Concrete,
Plaster, Flooring Adhesives,
Grout, Drywall Mud, Paint,
Decorative Concrete Coatings
& other Construction Materials**



RFI CONSTRUCTION PRODUCTS

DIVISION OF CANGRO INDUSTRIES, INC.

495 Smith St., Farmingdale, N.Y. 11735-1186

Tel: 631-752-8899

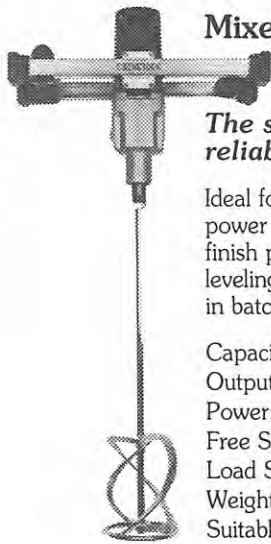
Fax: 631-454-9155

PA Office: 610-966-5689

Fax: 610-966-5683

www.rficonstructionproducts.com • [email: cangrosales@ix.netcom.com](mailto:cangrosales@ix.netcom.com)

For Heavy-duty Mixing Jobs

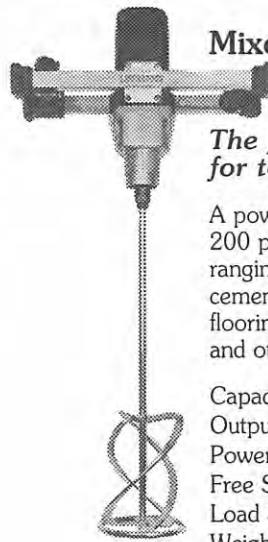


Mixer EHR 20 S
Variable-speed

The standard mixer with high reliability for construction

Ideal for medium to high viscosity power and liquid materials such as finish plaster, latex, mortar, epoxy, leveling compounds and other materials in batches up to 120 pounds.

Capacity: 3 bags, 25 gal.
Output: up to 900 lbs./hour
Power: 10.5 Amp / 110 Volt AC
Free Speed: 900 RPM
Load Speed: 0-580 RPM
Weight: 11.5 lbs.
Suitable Paddles: WG 135 (5.4" dia.)
MG 140 (5.6" dia.)



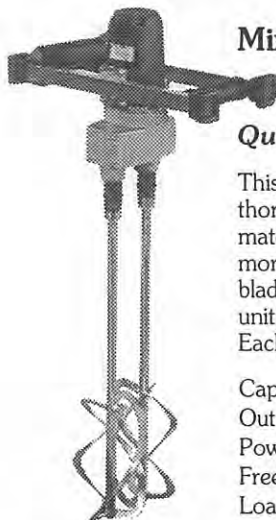
Mixer EHR 23/1.2 R
Variable-speed

The powerful, professional unit for tough, continuous use

A powerful motor allows mixing of up to 200 pounds of high viscosity materials ranging from epoxy, mortars, plasters and cement to quartz-containing resins and flooring compounds, as well as insulation and other materials.

Capacity: 5 bags, 35 gal.
Output: up to 1800 lbs./hour
Power: 14.5 Amp / 110 Volt AC
Free Speed: 325 RPM
Load Speed: 100-275 RPM
Weight: 15 lbs.
Suitable Paddles: WG 160 (6.25" dia.)
MG 160 (6.25" dia.)

Galvanized Steel Mixing Paddles



Mixer EZR 21 S
Variable-speed

Quick, thorough mixing with twin paddles

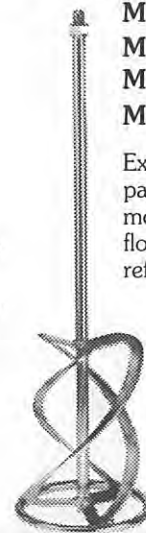
This dual-paddle mixer stirs heavy materials faster and more efficiently. A thorough, well-blended mixture results when mixing two or more component materials, as well as heavy products such as flooring compound, epoxies, mortars, fiber-filled cements, ceramics, granulates, pastes and putties. The blades rotate in opposite directions, eliminating counter torque and making the unit easy to handle — even while mixing the most demanding of materials. Each paddle is 4 3/4" dia. with 8 1/4" working width. Mix up to 200 pounds.

Capacity: 5 bags, 25 gal.
Output: up to 1200 lbs./hour
Power: 10.5 Amp / 110 Volt AC
Free Speed: 680 RPM
Load Speed: 0-450 RPM
Weight: 15 lbs.
Paddle Pairs: No. 31610000

High Viscosity

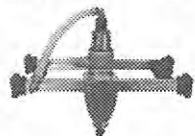
MG 120 4.5" dia.
MG 140 5.6" dia.
MG 160 6.25" dia.
MG 235 9.25" dia.

Extra-robust stirring paddle for finished mortar, finished plaster, floor compounds, refractory cements, insulating materials and quartz-filled epoxy resin.



Pneumatic-powered Mixers for Hazardous Environments

Three air-powered models are inherently safer for mixing paint, glue, epoxy, mortar, concrete, refractory cement and other materials in shipyards and the oil and gas industries. They can be used around water with no fear of shock or blown circuitry.



Model No.	Power	CFM @90 PSI	Load Speed (RPM)	Mixing Capacity	Weight	Air Connection	Suitable Paddles
7 1111 0010	1.5 HP	49 CFM	0-400	110 lbs.	14 lbs.	3/8"	MG 140, WG 135
7 1112 0010	1.5 HP	49 CFM	0-230 / 200-420	110 lbs.	15 lbs.	3/8"	MG 140, WG 135
7 1113 0010	2.2 HP	67 CFM	0-200 / 250-450	200 lbs.	23 lbs.	3/4"	MG 160, WG 160

RFI CONSTRUCTION PRODUCTS

DIVISION OF CANGRO INDUSTRIES, INC.

495 Smith St., Farmingdale, N.Y. 11735-1186

Tel: 631-752-8899

Fax: 631-454-9155

PA Office: 610-966-5689

Fax: 610-966-5683

www.rficonstructionproducts.com • email: cangrosales@ix.netcom.com

MORTAR and REFRACTORY MIXERS

Models 600 to 1210 MP

Quality You Can See...Performance You Can Count On!



The following 10 reasons are why, upon comparison, RFI represents your best mixer buy, both for today, and for the long run.

- ★ Four mixing paddles and two end scrapers, all with adjustable steel wipers, are mounted on a square paddle shaft for extra strength. The square shaft design eliminates problems with paddles twisting on the shaft and premature failure caused by wearing or breaking of locking keys and key holes.
- ★ Deep diameter mixing drums are manufactured from extra hard "CORTEN A" abrasion resistant steel. The large diameter drum allows mixing of full batches with no slop, and less wear on drive components.
- ★ Reinforced drum guard and coulbe sided bag splitter are built to take the pounding of masonry material bags and constant shovel banging. Bar stock grids are used under the bag splitter to keep the guard from sagging or welds from breaking.
- ★ Shaft seals are a time proven design which protects both the bearing and shaft when the mixer is new, as well as after years of service. Our seals consist of two rubber seals, a large grease chamber, and gravity purging of masonry seepage.
- ★ While all manufacturers talk of long bearing life, we guarantee it... for the life of your mixer. This is proof of our claim regarding quality, design and seal protection.
- ★ Engine and paddle clutching is conveniently located at the front of the mixer where it is both accessible and instantly available in an emergency.
- ★ Reinforced frame manufactured of square tubular steel, formed steel axle, tapered roller wheel bearings, and large diameter pneumatic tires match these mixers to the rigors of daily use and fequent towing experienced by commercial contractors.
- ★ Engine shrouds are built to keep their shape and integrity over years of constant use and some abuse. The use of screen steel is kept to a minimum on the shroud structure to assure security and structural integrity while assuring maximum air flow around the engine. Full width piano hinge allows easy engine access for starting and maintenance.
- ★ Gasoline and electric power options are available to match your application requirements. All power options are specified to Industrial/ Commercial application and are mounted on a steel clutch plate to assure alignment and ease of service.
- ★ It's a matter of pride. From the welds to the final paint, our people are proud of their reputation for quality products which are built in America. Our pride shows through every product we build.

RFI CONSTRUCTION PRODUCTS

DIVISION OF CANGRO INDUSTRIES, INC.

495 Smith St., Farmingdale, N.Y. 11735-1186

Tel: 631-752-8899

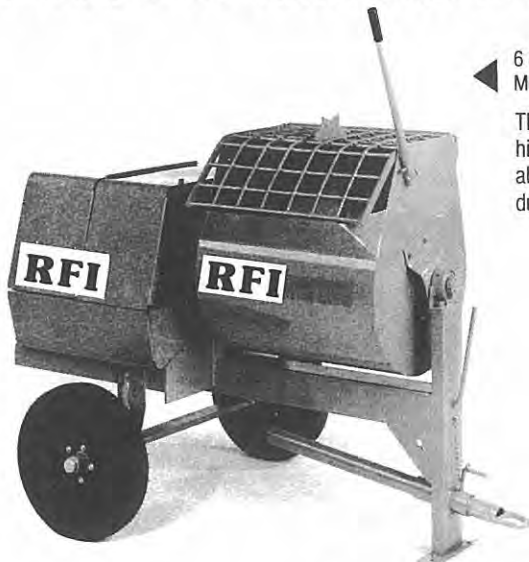
Fax: 631-454-9155

PA Office: 610-966-5689

Fax: 610-966-5683

www.rficonstructionproducts.com • [email: cangrosales@ix.netcom.com](mailto:cangrosales@ix.netcom.com)

— A LINE OF MIXERS TO MATCH YOUR NEEDS. —



10 & 12 cubic foot capacities.
Models 1000MP/1200MP/1210MP

3 & 4 bag larger capacities, and built with the guts to match. Models 1000MP & 1200MP are driven with dual belts, while the model 1210 features a totally enclosed solid gear drive and clutch. Both sizes are mounted on sprung axles with large diameter tires. Simply, the most efficient and rugged big mixers available.

6 & 8 cubic foot capacities.
Models 600MP & 800MP

These 1½ and 2 bag mixers offer the convenience of 48" charging height with high speed mixing action. A favorite of contractors because of their smooth mixing ability and easy mobility. Built to match the demand for efficiency, economy and durability of commercial contractors.



Specifications:

Model Designation	600MP	800MP	1000MP	1200MP	1210MP
Batch Size	6 cu. ft.	8 cu. ft.	10 cu. ft.	12 cu. ft.	12 cu. ft.
Bag/Batch Mix Cap.	1½	2	3	4	4
Drum Dimensions Length x Diameter	28 x 24	34 x 24	30 x 30	36 x 30	36 x 30
Drum Material	12 ga.	12 ga.	10 ga.	10 ga.	10 ga.
Wrap	3/16"	3/16"	1/4"	1/4"	1/4"
Ends	3/16"	3/16"	1/4"	1/4"	1/4"
Mixing Blades	4 Mixing & 2 End Scraping w/Rubber Inserts				
Bearing/Seal	Ball Bearing with Triple Seal				
Clutch Mechanism	Pivoting Engine Mount			Automotive	
Power Reduction	6:1 Oil Bath w/V-Belt Drive			Gear	
Frame Description	Square Steel Tubing and Structural Channel				
Tow Pole	2 3/8" dia. Telescoping		2 7/8" dia. Telescoping		
Hitch Description	Pintle Type Standard, Ball Option				
Wheel & Tire	480 x 12 (20" O.D.)	6:50 x 13 (25" O.D.)	6:50 x 13 (25" O.D.)	6:50 x 13 (25" O.D.)	6:50 x 13 (25" O.D.)
Spring Suspension	OPT.	OPT.	"U" Spring Standard		
Safety Chain	Standard Equipment				

Model Designation	600MP	800MP	1000MP	1200MP	1210MP
Overall Dimensions Length	73"	79"	77"	83"	83"
Width	48"	50"	54"	54"	54"
Height	54"	56"	59"	59"	59"
Change Height	48"	50"	52"	52"	52"
Discharge Height	23"	23"	23"	23"	23"
Min. passage Width	48"	50"	54"	54"	54"
Power Options / Weight	Approximate Shipping Weights (lbs.)				
Wisconsin	7 HP.BKN	780	795	—	—
	9.2 HP.AENLD	—	—	1036	1093
		—	—	1170	1170
Electric	1½ HP	735	—	—	—
115 / 230 V	2 H.P.	—	755	—	—
1750 RPM	3 HP.	—	—	909	956
	5 HP.	—	—	948	995
230 / 460 V	7.5	—	—	1150	—
3pHase, 60 cy	10 HP.	—	—	—	1200

RFI CONSTRUCTION PRODUCTS

DIVISION OF CANGRO INDUSTRIES, INC.

495 Smith St., Farmingdale, N.Y. 11735-1186

Tel: 631-752-8899

Fax: 631-454-9155

www.rficonstructionproducts.com

PA Office: 610-966-5689

Fax: 610-966-5683

• [email: cangrosales@ix.netcom.com](mailto:cangrosales@ix.netcom.com)

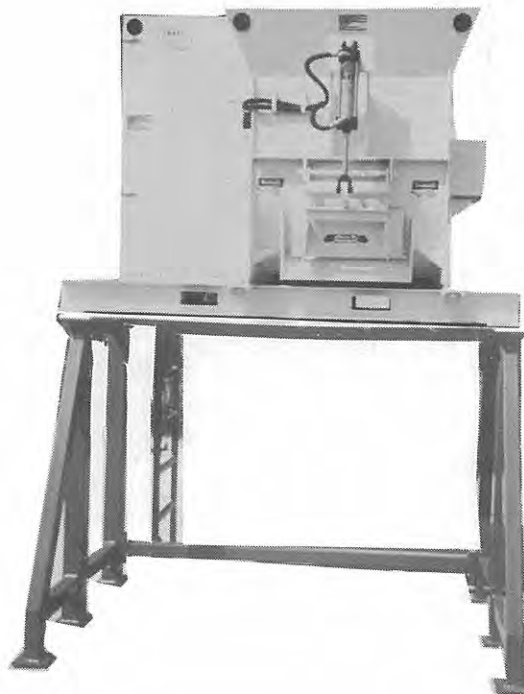
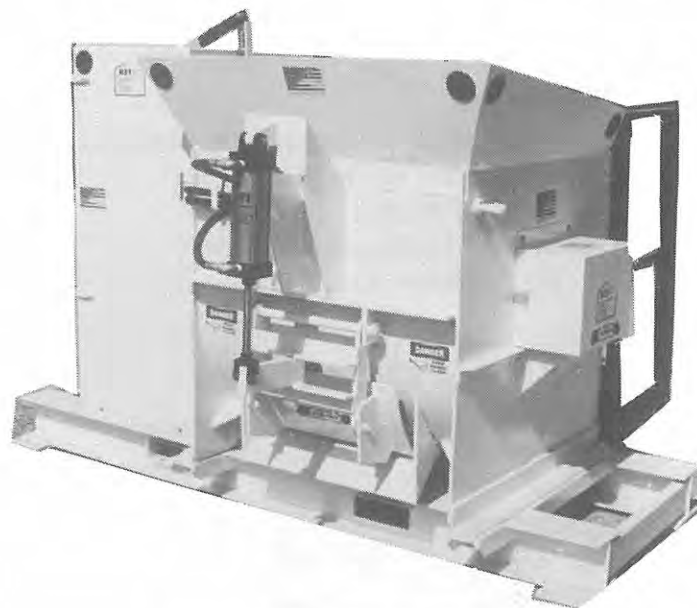
PADDLE BATCH MIXERS

REFRACTORY STYLE

Model: PBM-1000
PBM-2000

Features:

- **Mixing Capacity**
PBM-1000 - 7 C.F. (1000 lb.)
PBM-2000 - 14 C.F. (2000 lb.)
(Based on material weighing 165 lb. per cubic foot and filled to shaft level.)
- **Power**
Electric, Air, Gas or Diesel
- Air-Operated Discharge Door
- Abrasion Resistant Steel Drum Liner and Paddles
- Torque-Arm Reducer with V-Belt Drive
- Heavy-Duty Grill with Bag Cutter
- Electrical Safety Interlock on Grill
- Forklift Rails
- Water Spray Bar
- Material Splash Guard
- Safety Guards and Covers Over Motor and Bearings



Standard Power:

460 Volt, 3 Phase,
60 Cycle Electric

RFI CONSTRUCTION PRODUCTS

DIVISION OF CANGRO INDUSTRIES, INC.

495 Smith St., Farmingdale, N.Y. 11735-1186

Tel: 631-752-8899

Fax: 631-454-9155

PA Office: 610-966-5689

Fax: 610-966-5683

www.rficonstructionproducts.com • [email: cangrosales@ix.netcom.com](mailto:cangrosales@ix.netcom.com)

PADDLE BATCH MIXERS

REFRACTORY STYLE

Available Options:

Options:

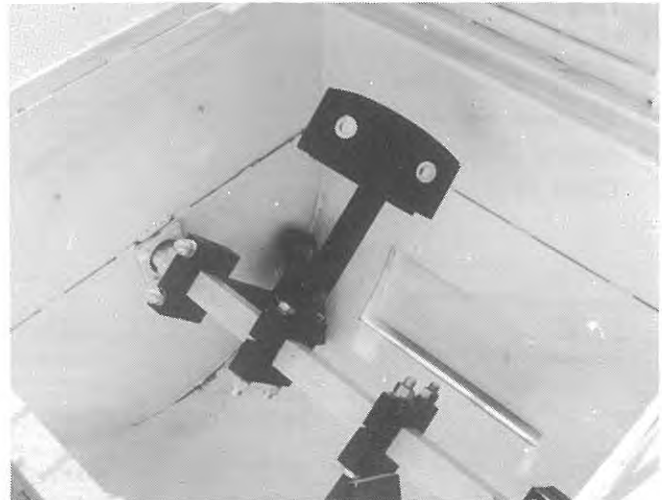
- Mixer stand with operators platform and ladder. 60" high.
- Material Bucket
- Central Lubricating System
- Water Meter: Batch Style



Capacity: 7 and 14 C.F.
(Based on 165 lb. Material)



Batch Style — Water Meter
Manual or Automatic



Abrasion Resistant Steel
Bolt-On Paddles

RFI CONSTRUCTION PRODUCTS

DIVISION OF CANGRO INDUSTRIES, INC.

495 Smith St., Farmingdale, N.Y. 11735-1186

Tel: 631-752-8899

Fax: 631-454-9155

www.rficonstructionproducts.com • [email: cangrosales@ix.netcom.com](mailto:cangrosales@ix.netcom.com)

PA Office: 610-966-5689

Fax: 610-966-5683

PADDLE BATCH MIXERS

CONCRETE & REFRACTORY STYLE

Model PBM-3000

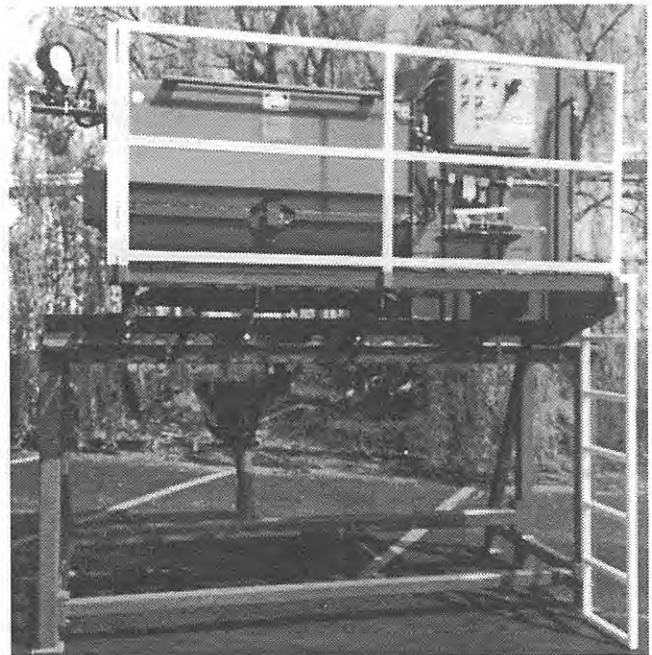


Features:

- **Mixing Capacity**
PBM-3000 - 19 C.F. (3000 lb.)
(Based on material weighing 165 lb. per cubic foot and filled to shaft level.)
- **Power**
Electric, Air, Gas or Diesel
- Air-Operated Discharge Door
- Abrasion Resistant Steel Drum Liner and Paddles
- Torque-Arm Reducer with V-Belt Drive
- Heavy-Duty Grill with Bag Cutter
- Electrical Safety Interlock on Grill
- Forklift Rails
- Water Spray Bar
- Material Splash Guard
- Safety Guards and Cover Over Motor and Bearings
- Central Lubrication System

Standard Power:

460 Volt, 3 Phase, 60 Cycle Electric



RFI CONSTRUCTION PRODUCTS

DIVISION OF CANGRO INDUSTRIES, INC.

495 Smith St., Farmingdale, N.Y. 11735-1186

Tel: 631-752-8899

Fax: 631-454-9155

PA Office: 610-966-5689

Fax: 610-966-5683

www.rficonstructionproducts.com • [email: cangrosales@ix.netcom.com](mailto:cangrosales@ix.netcom.com)

PADDLE BATCH MIXERS

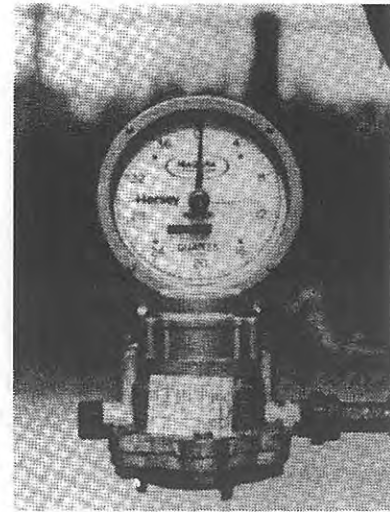
CONCRETE & REFRACTORY STYLE

Options:

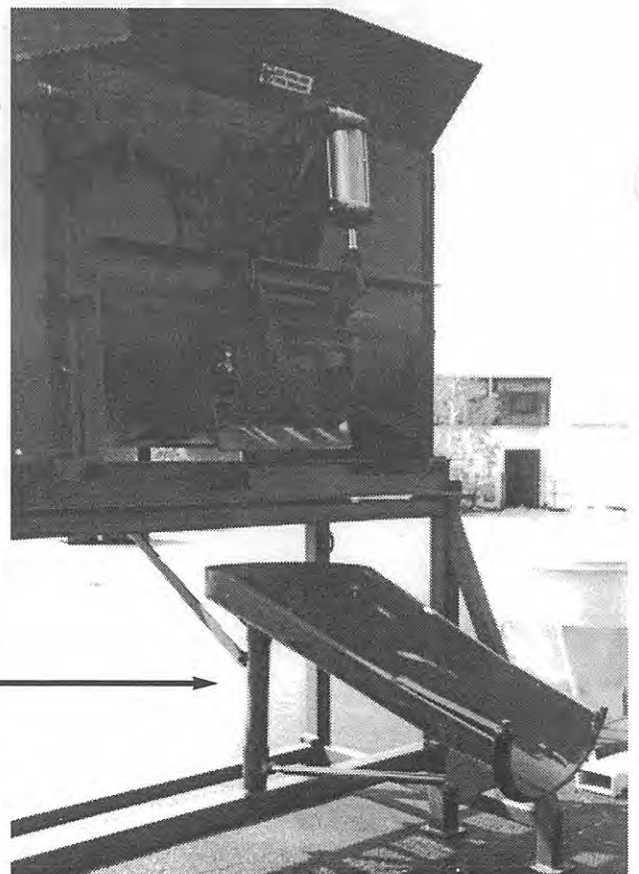
- Mixer stand with operators platform and ladder. 60" high.
- Material Bucket capacity 19 cubic ft.
- Swivel Chute
- Water Meter: Batch Style



Capacity: 19 cu. ft.
(Based on 165 lb. Material)



Batch Style - Water Meter
Manual or Automatic



Swivel Chute

RFI CONSTRUCTION PRODUCTS

DIVISION OF CANGRO INDUSTRIES, INC.

495 Smith St., Farmingdale, N.Y. 11735-1186

Tel: 631-752-8899

Fax: 631-454-9155

www.rficonstructionproducts.com • [email: cangrosales@ix.netcom.com](mailto:cangrosales@ix.netcom.com)

PA Office: 610-966-5689

Fax: 610-966-5683

IMER

VERTICAL SHAFT MORTAR MIXERS

Model 120



RFI CONSTRUCTION PRODUCTS

DIVISION OF CANGRO INDUSTRIES, INC.

495 Smith St., Farmingdale, N.Y. 11735-1186

Tel: 631-752-8899

Fax: 631-454-9155

PA Office: 610-966-5689

Fax: 610-966-5683

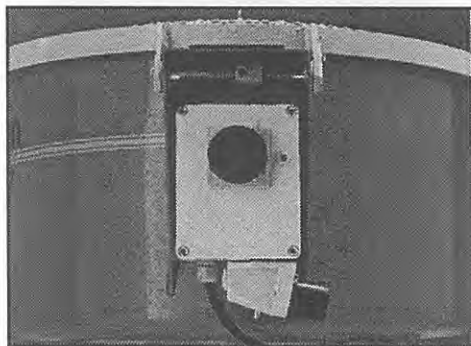
www.rficonstructionproducts.com • [email: cangrosales@ix.netcom.com](mailto:cangrosales@ix.netcom.com)

VERTICAL SHAFT MORTAR MIXERS - 120



The 120 is designed for easy transport by one person. It fits on elevators, passes through standard 36" doors, and the vertical shaft mixing action keeps the work area free of splashed material. Take the Mortarman 120 along no matter where the job is!

Drum capacity	4.5 Cubic Feet
Batch output	2.2 Cubic Feet
Drum diameter	27 inches
Discharge outlet height	26 inches
Wheels	12 inches
Overall operating dimensions	37"x38"x48"
Overall storage dimensions	34"x32"x40"
Weight	190 lbs.
Powerplants - Gasoline	not available
- Electric	.8 H.P. 110v 11amp



Government regulations increasingly involve worker safety, this has led IMER USA to develop the industry's first safety interlock system. When the mixer grate is raised the paddles stop spinning.



Conventional mixers are difficult and messy when tilting to empty. With a twist of the wrist, the 120's easy to control discharge delivers as little as a handful, a 5 gallon bucket, or a wheelbarrow of material.

RFI CONSTRUCTION PRODUCTS

DIVISION OF CANGRO INDUSTRIES, INC.

495 Smith St., Farmingdale, N.Y. 11735-1186

Tel: 631-752-8899

Fax: 631-454-9155

www.rficonstructionproducts.com • [email: cangrosales@ix.netcom.com](mailto:cangrosales@ix.netcom.com)

PA Office: 610-966-5689

Fax: 610-966-5683

IMER **VERTICAL SHAFT** **MORTAR MIXERS**

Model 360



RFI CONSTRUCTION PRODUCTS

DIVISION OF CANGRO INDUSTRIES, INC.

495 Smith St., Farmingdale, N.Y. 11735-1186

Tel: 631-752-8899

Fax: 631-454-9155

PA Office: 610-966-5689

Fax: 610-966-5683

www.rficonstructionproducts.com • [email: cangrosales@ix.netcom.com](mailto:cangrosales@ix.netcom.com)

VERTICAL SHAFT MORTAR MIXERS

MODEL 750



RFI CONSTRUCTION PRODUCTS

DIVISION OF CANGRO INDUSTRIES, INC.

495 Smith St., Farmingdale, N.Y. 11735-1186

Tel: 631-752-8899

Fax: 631-454-9155

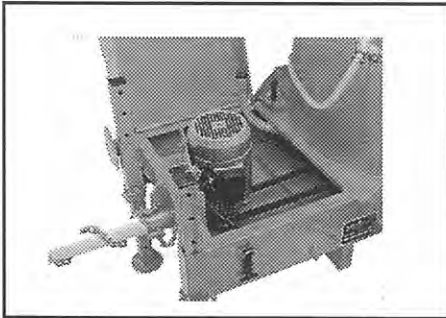
PA Office: 610-966-5689

Fax: 610-966-5683

www.rficonstructionproducts.com • [email: cangrosales@ix.netcom.com](mailto:cangrosales@ix.netcom.com)

VERTICAL SHAFT MORTAR MIXERS

MODEL 750



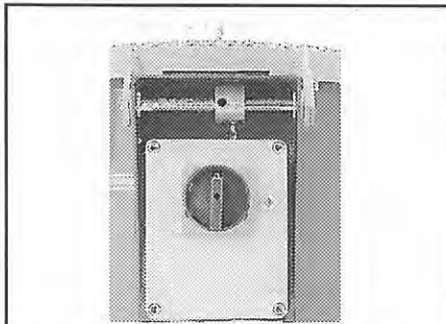
The hinged canopy permits quick and easy access to the 750 powerplant. The powerplant mounting system is engineered for electric, gas or hydraulic motors.

MORTARMAN 750

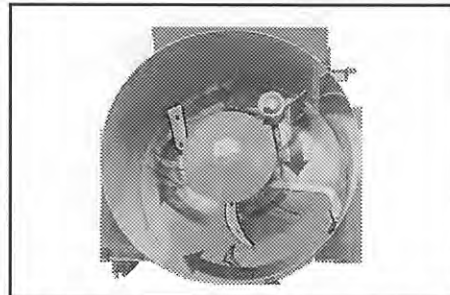
Drum capacity	27 cu. ft.
Batch output	18 cu. ft. / 1200 lbs.
Drum diameter	50"
Discharge outlet height	30"
RPM	35
Weight	1700 lbs.
Electric motor	5 hp 230/460 volt
Gas engine	13 hp Honda

OPERATING DIMENSIONS

Length	90"
Height	62"
Width	63"



Improved operator safety is provided by IMER's safety interlock system. Raise the protection grate, and the paddles stop spinning.



The horizontal sweeping action, combined with the free spinning trident paddles, provide a quick (4-5 minute) and thorough blending of the mix along with rapid and complete discharge. The vertical shaft design eliminates splashing of the mix onto the operator and the mixer drum.

RFI CONSTRUCTION PRODUCTS

DIVISION OF CANGRO INDUSTRIES, INC.

495 Smith St., Farmingdale, N.Y. 11735-1186

Tel: 631-752-8899

Fax: 631-454-9155

www.rficonstructionproducts.com

PA Office: 610-966-5689

Fax: 610-966-5683

• [email: cangrosales@ix.netcom.com](mailto:cangrosales@ix.netcom.com)

HEAVY-DUTY PAN MIXER FOR REFRACTORY, CONCRETE & MORTAR

Model PM-1000
PM-2000

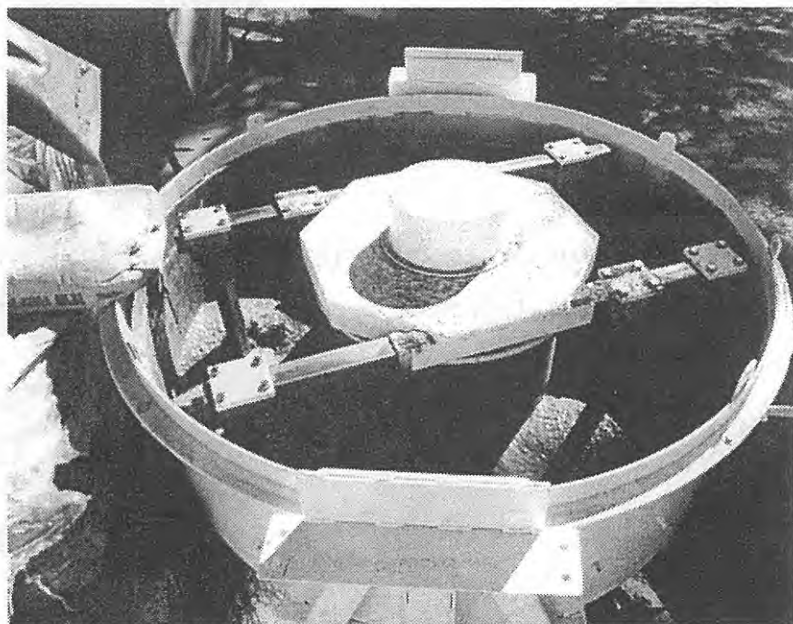


FEATURES:

- 60" Dia. pan with 30" high side wall
- Abrasion-resistant steel floor and side liners
- Adjustable mixing arms and plows
- (2) 10" dia. air-operated outlet-doors
- Water meter system

POWER:

- Standard... electric 460 volt, 3 phase, 60 cycle
- Other power packages available



RFI CONSTRUCTION PRODUCTS

DIVISION OF CANGRO INDUSTRIES, INC.

495 Smith St., Farmingdale, N.Y. 11735-1186

Tel: 631-752-8899

Fax: 631-454-9155

www.rficonstructionproducts.com • [email: cangrosales@ix.netcom.com](mailto:cangrosales@ix.netcom.com)

PA Office: 610-966-5689

Fax: 610-966-5683

HEAVY-DUTY PAN MIXER FOR REFRACTORY, CONCRETE & MORTAR

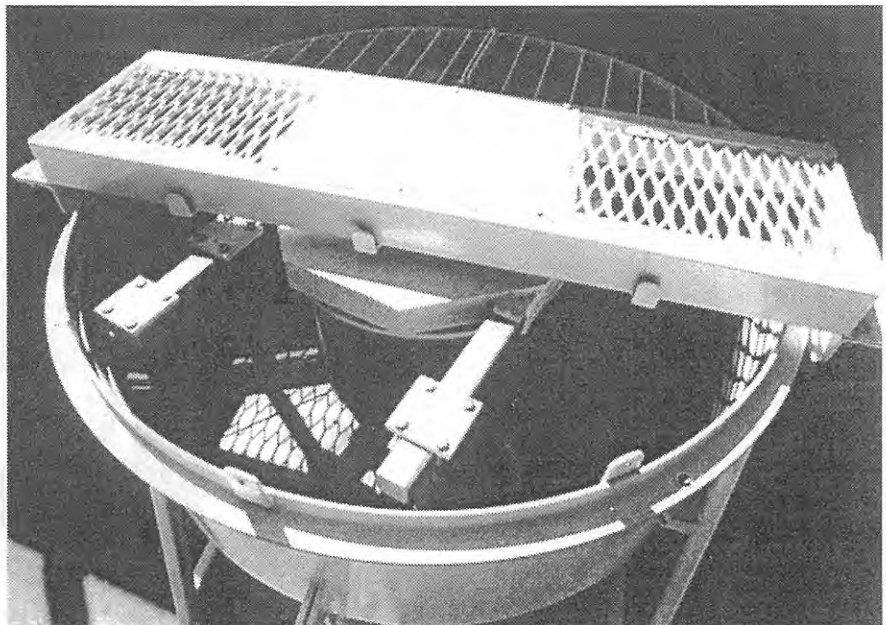


FEATURES:

- Full grating with hinge and safety interlock
- Mixing capacity available
 - 7 cu. ft. - 1000 lbs.
 - 10 cu. ft. - 1500 lbs.
 - 14 cu. ft. - 2000 lbs. (based on 165 lb. density material)
- Dims: 60" dia. x 48" high, Wt. 3500 lbs

OPTIONS:

- Manual 6" dial, Hershey water meter
- Hershey water meter with auto shut-off
- Mixer mounted to concrete pump
- 3 sided mixer stand with operators platform
- Concrete swivel shoot
- Other drum diameters available



RFI CONSTRUCTION PRODUCTS

DIVISION OF CANGRO INDUSTRIES, INC.

495 Smith St., Farmingdale, N.Y. 11735-1186

Tel: 631-752-8899

Fax: 631-454-9155

PA Office: 610-966-5689

Fax: 610-966-5683

www.rficonstructionproducts.com • [email: cangrosales@ix.netcom.com](mailto:cangrosales@ix.netcom.com)

CONTINUOUS MIXER FOR PRE-MIXED MATERIALS

Model CM1000
CM1500



FEATURES

- Handles dry and preblended materials
- Handles up to 1/2" aggregates
- Precise material/water ratio
- (4) Spray head water manifold
- Water Booster Pump
- Solenoid operated water meter
- Various mixing tube lengths
- Adapted for bulk bags or hopper feed
- Adjustable legs with caster wheels
- Output capacity: 450 lb min
- One-man operation

The continuous mixer will handle mortars, concretes, refractories, plasters, stucco, grout, fireproofing, or any pre-mixed material. Can be used as a mixer to feed grout, mortar, concrete and shotcrete pumps. Can also be used as a predampener and feeder to gunite machines or as a mixer/feeder to a concrete bucket or wheelbarrow.

Capacity: CM 1000 - 300 lb. max.

CM 1500 - 450 lb. max.

RFI CONSTRUCTION PRODUCTS

DIVISION OF CANGRO INDUSTRIES, INC.

495 Smith St., Farmingdale, N.Y. 11735-1186

Tel: 631-752-8899

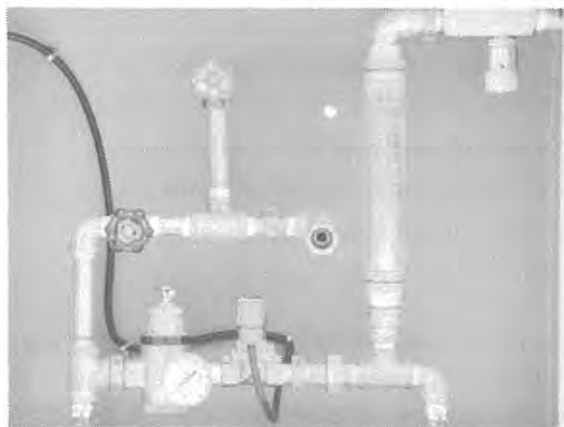
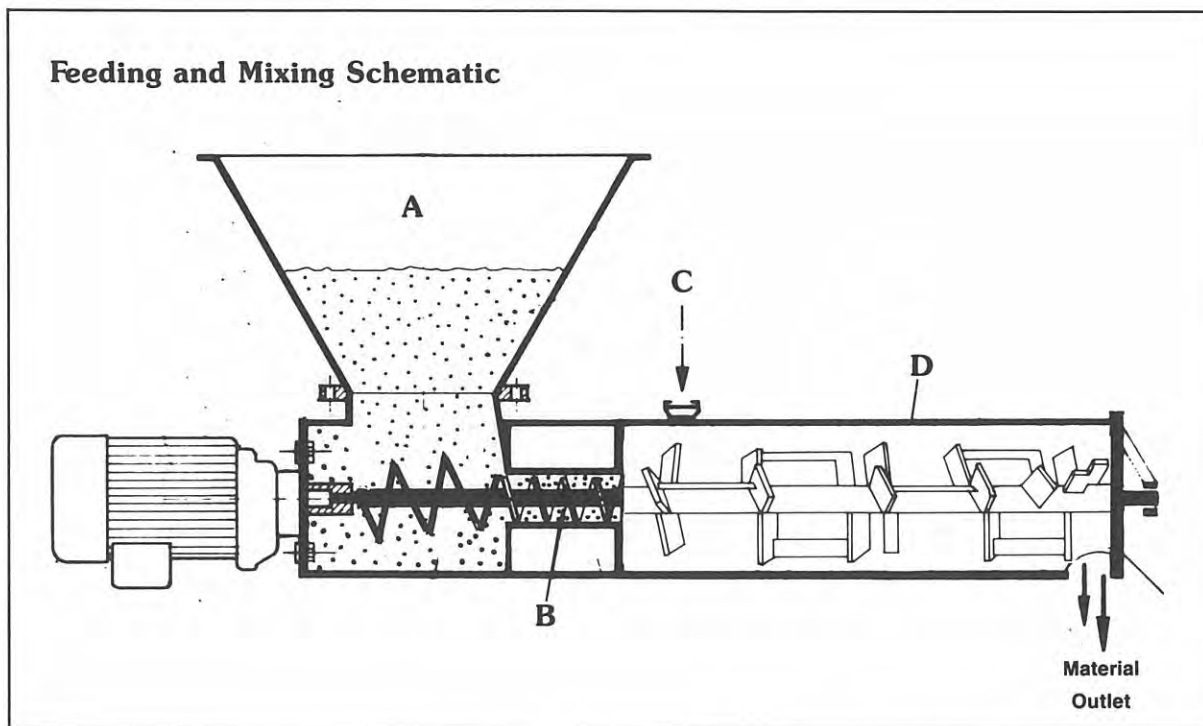
Fax: 631-454-9155

PA Office: 610-966-5689

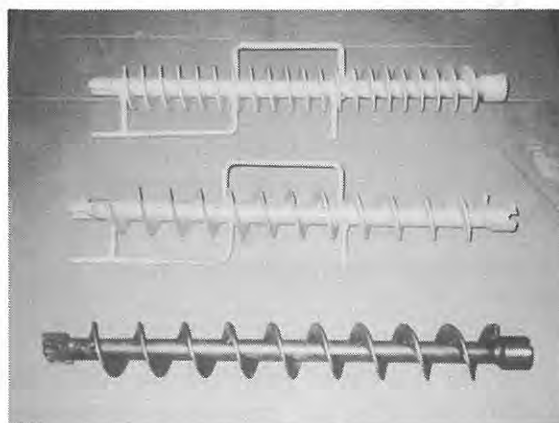
Fax: 610-966-5683

www.rficonstructionproducts.com • [email: cangrosales@ix.netcom.com](mailto:cangrosales@ix.netcom.com)

Dry pre-mixed materials are supplied to mixer by bag, silo or bulk container (A). Metering auger (B) feeds dry material into the wet mixing chamber at a constant speed. To increase or decrease material output you install various pitch feed augers. Water is added (C) precisely through water flow tube meter assembly. Operator manually fine tunes water through the water flow tube with a needle valve. Once water is set, water / material is controlled electrically giving you a very precise mix design. Depending on mixing time of your materials, various lengths of the mixing chamber (D) are available. (Example: 4 ft long mixing chamber is equal to 4 to 5 minutes in a paddle mixer.)



Water Meter Assembly 0 - 10 gpm
Solenoid operated



Feed Augers for various capacities
50 lb. to 450 lb. min.

Dimensions: 3 ft. W x 4 ft. H x 10 ft. L
Wt: 700 lbs.

RFI CONSTRUCTION PRODUCTS

DIVISION OF CANGRO INDUSTRIES, INC.

495 Smith St., Farmingdale, N.Y. 11735-1186

Tel: 631-752-8899

Fax: 631-454-9155

www.rficonstructionproducts.com • [email: cangrosales@ix.netcom.com](mailto:cangrosales@ix.netcom.com)

PA Office: 610-966-5689

Fax: 610-966-5683

GUNITE-RIG



MODEL R-9000

MAKES ON-THE-JOB GUNITING MORE PROFITABLE... EASIER... FASTER...

This rugged rig is used widely throughout the gunite and refractory industries. It is designed to accept any double tank gunite gun or rotary gun.

The R9000 has proven to be reliable, economical and easy to operate and maintain in the field. Major components are bolted on for ease of cleaning. Decreases manual labor—3 man crew only required—increases profits.

- Stationary in-plant units built to your specifications.
- A complete line of component parts for customer service is available.

IMPORTANT FEATURES

Labor Saving

- Only 3-man crew required

Mixes and delivers 9-10 tons per hour

- 2" gunite hose with 600 cfm compressor

Service

- All bolted construction

Choice of Power

- Gas, diesel, air, electric

Good Roadability

- Heavy-duty tires, electric brakes
- Tandem axles

Choice of Tow Hitch

- Pintle eye
- Ball & socket

RFI CONSTRUCTION PRODUCTS

DIVISION OF CANGRO INDUSTRIES, INC.

495 Smith St., Farmingdale, N.Y. 11735-1186

Tel: 631-752-8899

Fax: 631-454-9155

www.rficonstructionproducts.com • [email: cangrosales@ix.netcom.com](mailto:cangrosales@ix.netcom.com)

PA Office: 610-966-5689

Fax: 610-966-5683



HEAVY DUTY
RADIAL GATE
ASSEMBLY

SPARE TIRE
ASSEMBLY



MATERIAL
SPLASH GUARD

HEAVY DUTY
GRILL WITH
BAG CUTTER
AND ROCK SCREEN



SPECIFICATIONS

TRAILER

Front to rear	16'
Width	93"
Height	9'
Weight	4200 lbs. w/o gun
Tires	(Two) 8:14x15 12 ply rated
Axle	12000 lb. rating
Brakes	Electric
Construction	6" wide flange beam
Hitch	2 5/16" ball and socket or pintle eye
Lights	Combination turn signal and over the road tail and stop lights

MIXER

Size	8 cubic feet
Paddles	Adjustable pitch—steel
Construction	1/4" thick steel shell; bag breaker; safety grill; floating non-jamming discharge door

CONVEYOR

Size	18" width with rubber vulcanized cleats
Construction	Turn-cleat pulley and material chute minimize material build-up; easily replaced belt guides; enclosed belt

HOPPER

Size	20 cubic feet
Discharge	Double radial, self-closing gate
Construction	10 gage steel cone hopper; all smooth interior; minimizes material hang-up; air vibratory assembly

OPTIONS

- Pre-wet system for refractory gunning
- PTO off engine for water booster pump
- Swivel hose reel
- Sand Hopper above Mixer
- Rock Screen w/chute

RFI CONSTRUCTION PRODUCTS

DIVISION OF CANGRO INDUSTRIES, INC.

495 Smith St., Farmingdale, N.Y. 11735-1186

Tel: 631-752-8899

Fax: 631-454-9155

PA Office: 610-966-5689

Fax: 610-966-5683

www.rficonstructionproducts.com • [email: cangrosales@ix.netcom.com](mailto:cangrosales@ix.netcom.com)

TRUCK MOUNTED SIDEWINDER WET SHOTCRETE RIG.



RFI CONSTRUCTION PRODUCTS

DIVISION OF CANGRO INDUSTRIES, INC.

495 Smith St., Farmingdale, N.Y. 11735-1186

Tel: 631-752-8899

Fax: 631-454-9155

www.rficonstructionproducts.com

PA Office: 610-966-5689

Fax: 610-966-5683

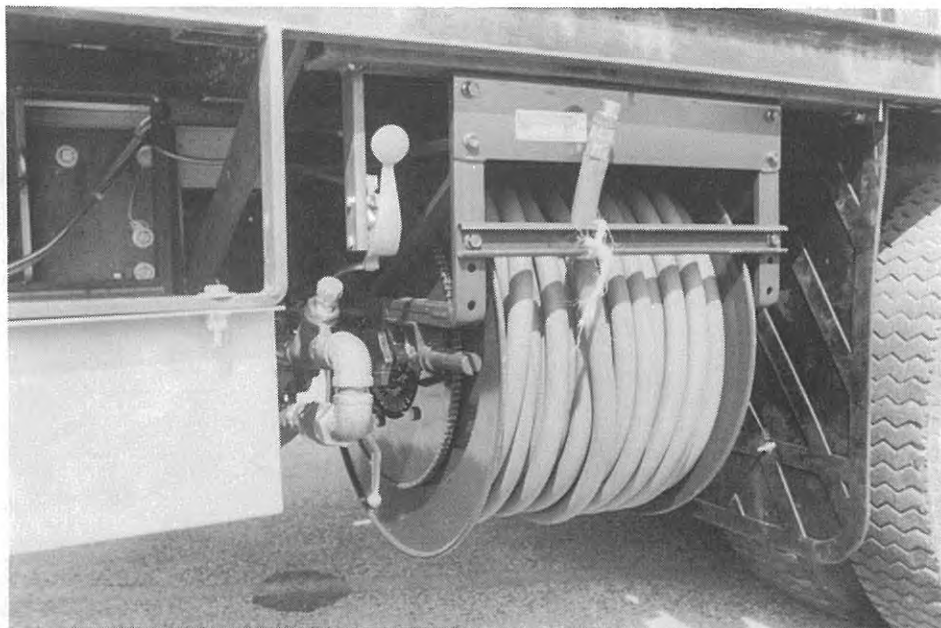
• [email: cangrosales@ix.netcom.com](mailto:cangrosales@ix.netcom.com)



Low Profile Pump Discharge



Removable Side Panels



Air-operated Hose Reel

RFI CONSTRUCTION PRODUCTS

DIVISION OF CANGRO INDUSTRIES, INC.

495 Smith St., Farmingdale, N.Y. 11735-1186

Tel: 631-752-8899

Fax: 631-454-9155

www.rficonstructionproducts.com

PA Office: 610-966-5689

Fax: 610-966-5683

• [email: cangrosales@ix.netcom.com](mailto:cangrosales@ix.netcom.com)